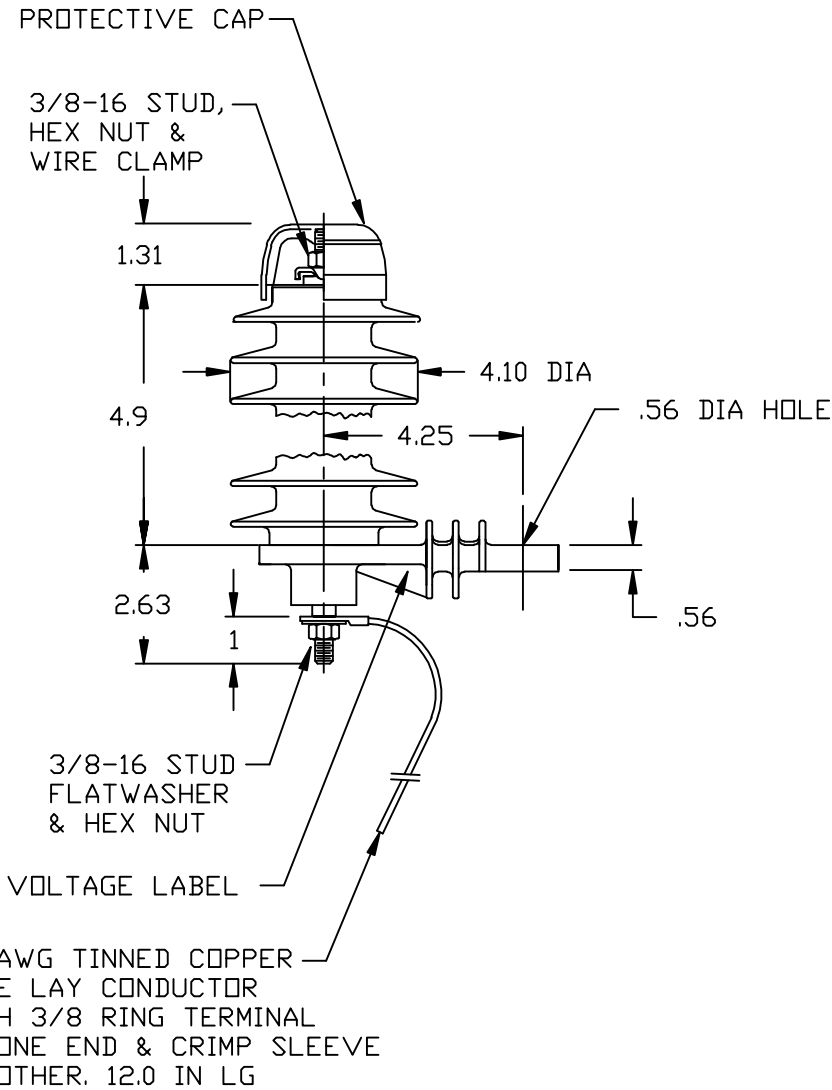



NOTES:

1. DIMENSIONS SUBJECT TO +/- 3% TOLERANCE
2. LEAKAGE DISTANCE (Inches) - 14.4
3. ALTITUDE 0-12000 FT. ABOVE SEA LEVEL
4. WEIGHT OF UNIT INCLUDING HARDWARE - 2.3 LB.
5. MAXIMUM CONTINUOUS LINE-TO-GROUND OPERATING VOLTAGE 8.4 kV MCOV
6. VOLTAGE RATING 10 kV RMS.



MAXIMUM DISCHARGE VOLTAGE (kV)						
FOW	SWITCHING SURGE	8/20 LIGHTNING IMPULSE				
10 kA	500 A	1.5 kA	3.0 kA	5 kA	10 kA	20 kA
35.5	23.4	25.6	27.4	29.0	31.6	35.9

DISTRIBUTION ARRESTER IEEE HEAVY DUTY IEC DH CLASS	CONFIDENTIAL: THIS DRAWING AND ITS CONTENTS ARE CONFIDENTIAL AND THE EXCLUSIVE PROPERTY OF HUBBELL POWER SYSTEMS. NO PUBLICATION, DISTRIBUTION OR COPIES MAY BE MADE WITHOUT THE WRITTEN CONSENT OF HUBBELL POWER SYSTEMS. HUBBELL POWER SYSTEMS UNPUBLISHED ALL RIGHTS RESERVED UNDER THE COPYRIGHT LAWS.	 <b>HUBBELL® POWER SYSTEMS</b>			
		TITLE PDV-100 OPTIMA 8.4 KV MCOV			
REV DATE	06/05/19	SIZE	DWG NO.	CAT / PART / ASSY NO.	REV
		S	ALES81XX	213709-8985	20
DO NOT SCALE THIS DRAWING		DRN BY	NON	DATE	04/17/02
				SHEET	1 OF 1