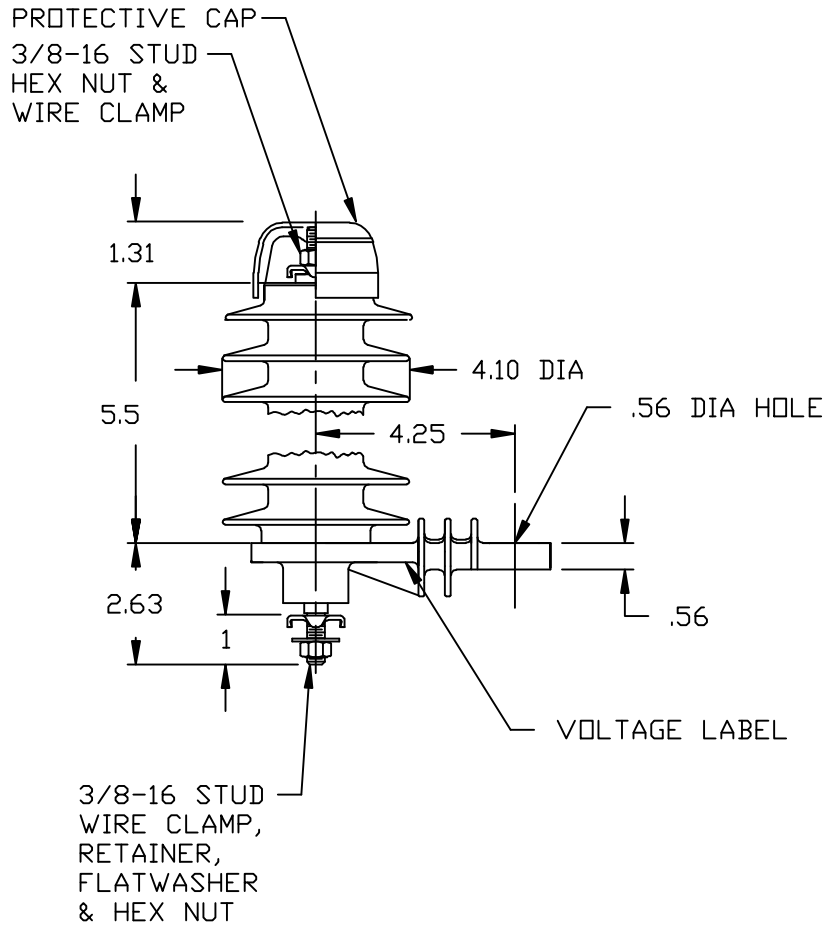



NOTES:

1. DIMENSIONS SUBJECT TO +/- 3% TOLERANCE
2. LEAKAGE DISTANCE (Inches) - 17
3. ALTITUDE 0-12000 FT. ABOVE SEA LEVEL
4. WEIGHT OF UNIT INCLUDING HARDWARE - 3.4 LB.
5. MAXIMUM CONTINUOUS LINE-TO-GROUND OPERATING VOLTAGE 10.2 kV MCOV
6. VOLTAGE RATING 12 kV RMS.



.5 μ SEC 10kA IR kV	500 A SWITCHING SURGE IR kV	MAXIMUM 8/20 DISCHARGE VOLTAGE - kV AT				
		1.5 kA	3.0 kA	5 kA	10 kA	20 kA
41.8	27.8	30.4	32.6	34.5	37.6	42.7

IEEE DISTRIBUTION HEAVY DUTY IEC DISTRIBUTION DH	<p>CONFIDENTIAL: THIS DRAWING AND ITS CONTENTS ARE CONFIDENTIAL AND THE EXCLUSIVE PROPERTY OF HUBBELL POWER SYSTEMS. NO PUBLICATION, DISTRIBUTION OR COPIES MAY BE MADE WITHOUT THE WRITTEN CONSENT OF HUBBELL POWER SYSTEMS. HUBBELL POWER SYSTEMS UNPUBLISHED ALL RIGHTS RESERVED UNDER THE COPYRIGHT LAWS.</p>	 HUBBELL® POWER SYSTEMS			
		TITLE PDV-100 OPTIMA 10.2 KV MCOV			
REV DATE	05/31/18	SIZE	DWG NO.	CAT / PART / ASSY NO.	REV
		S	ALES7XXX	213710-7314	32
DO NOT SCALE THIS DRAWING		DRN BY	PRD	DATE	06/17/00
		SHEET 1		OF 1	