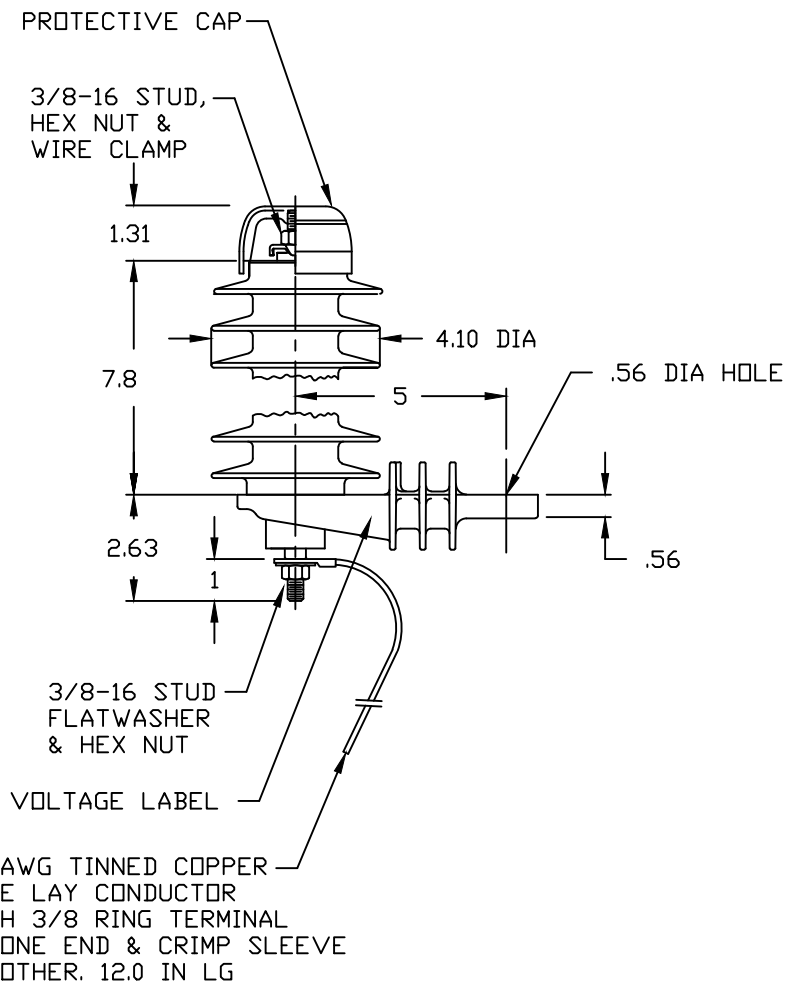


NOTES:

1. DIMENSIONS SUBJECT TO +/- 3% TOLERANCE
2. LEAKAGE DISTANCE (Inches) - 25.2
3. ALTITUDE 0-12000 FT. ABOVE SEA LEVEL
4. WEIGHT OF UNIT INCLUDING HARDWARE - 3.9 LB.
5. MAXIMUM CONTINUOUS LINE-TO-GROUND OPERATING VOLTAGE 15.3 kV MCOV
6. VOLTAGE RATING 18 kV RMS.



MAXIMUM DISCHARGE VOLTAGE (kV)						
F0W	SWITCHING SURGE	8/20 LIGHTNING IMPULSE				
10 kA	500 A	1.5 kA	3.0 kA	5 kA	10 kA	20 kA
63.1	41.7	45.6	48.8	51.7	56.4	64.1

DISTRIBUTION
ARRESTER
IEEE HEAVY DUTY
IEC DH CLASS

REV DATE 06/16/20

CONFIDENTIAL: THIS DRAWING AND ITS CONTENTS ARE CONFIDENTIAL AND THE EXCLUSIVE PROPERTY OF HUBBELL POWER SYSTEMS. NO PUBLICATION, DISTRIBUTION OR COPIES MAY BE MADE WITHOUT THE WRITTEN CONSENT OF HUBBELL POWER SYSTEMS. HUBBELL POWER SYSTEMS UNPUBLISHED ALL RIGHTS RESERVED UNDER THE COPYRIGHT LAWS.



HUBBELL® POWER SYSTEMS

TITLE PDV-100 OPTIMA
15.3 KV MCOV

SIZE S	DWG NO. ALES81XX	CAT / PART / ASSY NO. 213715-8985	REV 21
DO NOT SCALE THIS DRAWING	DRN BY NDN	DATE 04/17/02	SHEET 1 OF 1