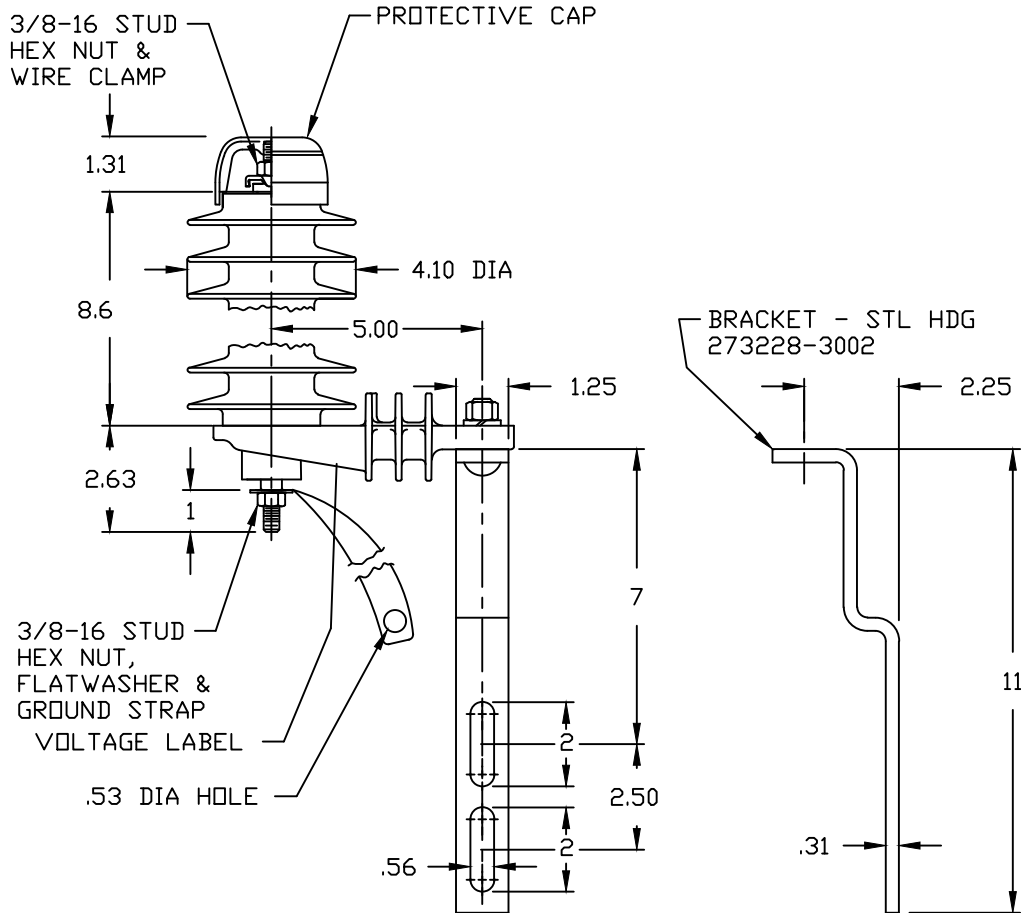


NOTES:

1. DIMENSIONS SUBJECT TO +/- 3% TOLERANCE
2. LEAKAGE DISTANCE (Inches) - 28.1
3. ALTITUDE 0-12000 FT. ABOVE SEA LEVEL
4. WEIGHT OF UNIT INCLUDING HARDWARE - 8.4 LB.
5. MAXIMUM CONTINUOUS LINE-TO-GROUND OPERATING VOLTAGE 17.0 kV MCOV
6. VOLTAGE RATING 21 kV RMS.
7. PLACE THE KAEC PART NUMBER AND SHIP DATE ON THE 2 SIDES THAT ARE ACCESSIBLE BY THE FORK LIFT SO THE FORK LIFT OPERATOR CAN READ THE INFORMATION. THE INFORMATION IS TO BE AT LEAST 2 INCHES HIGH AND WRITTEN USING A WIDE TIP FELT MARKER.



MAXIMUM DISCHARGE VOLTAGE (kV)						
FDW	SWITCHING SURGE	8/20 LIGHTNING IMPULSE				
		1.5 kA	3.0 kA	5 kA	10 kA	20 kA
10 kA	500 A	51.4	55.0	58.2	63.5	72.1
71.0	47.0					

DISTRIBUTION
ARRESTER
IEEE HEAVY DUTY
IEC DH CLASS

REV DATE 06/16/20

CONFIDENTIAL: THIS DRAWING AND ITS CONTENTS ARE CONFIDENTIAL AND THE EXCLUSIVE PROPERTY OF HUBBELL POWER SYSTEMS. NO PUBLICATION, DISTRIBUTION OR COPIES MAY BE MADE WITHOUT THE WRITTEN CONSENT OF HUBBELL POWER SYSTEMS. HUBBELL POWER SYSTEMS UNPUBLISHED. ALL RIGHTS RESERVED UNDER THE COPYRIGHT LAWS.



HUBBELL® POWER SYSTEMS

TITLE PDV-100 OPTIMA
17.0 KV MCOV

SIZE S	DWG NO. ALES80XX	CAT / PART / ASSY NO. 213717-8835	REV 39
--------	------------------	-----------------------------------	--------

DO NOT SCALE THIS DRAWING	DRN BY NDN	DATE 06/17/00	SHEET 1 OF 1
---------------------------	------------	---------------	--------------