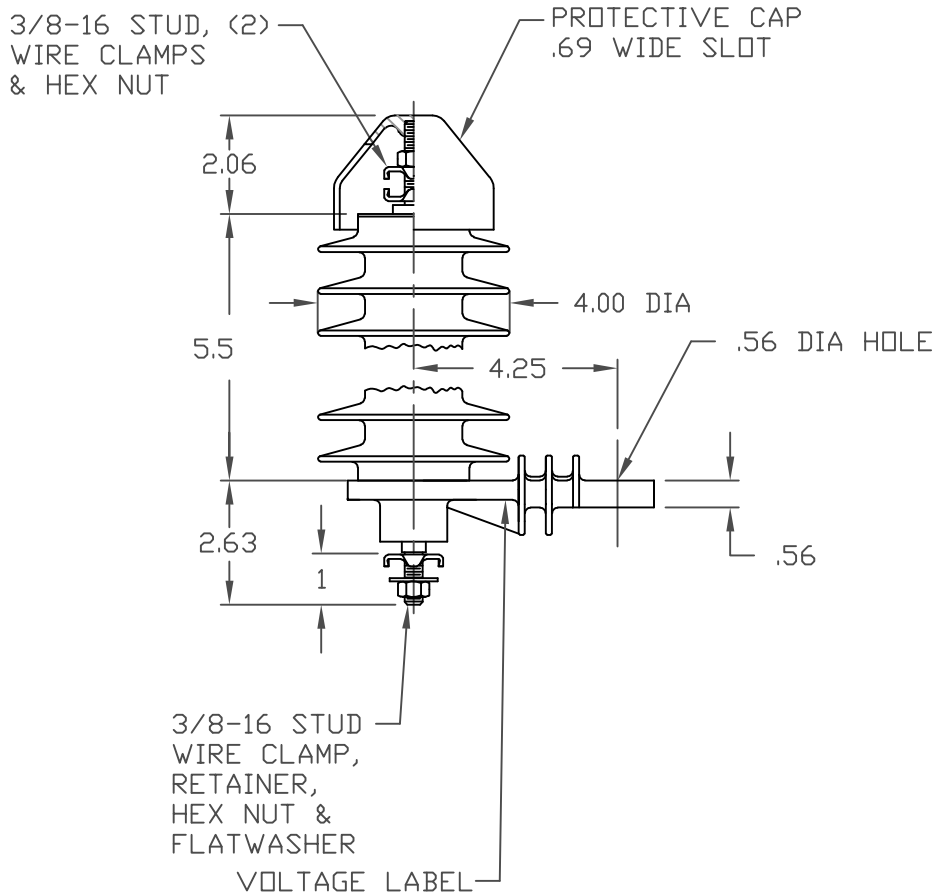



NOTES:

1. DIMENSIONS SUBJECT TO +/- 3% TOLERANCE
2. LEAKAGE DISTANCE (Inches) - 15.4
3. ALTITUDE 0-12000 FT. ABOVE SEA LEVEL
4. WEIGHT OF UNIT INCLUDING HARDWARE - 2 LB.
5. MAXIMUM CONTINUOUS LINE-TO-GROUND OPERATING VOLTAGE 8.4 kV MCOV
6. VOLTAGE RATING 10 kV RMS.
7. PVR RISER LABEL ON UNDERSIDE OF INSULATING BASE, OR ARRESTER



| MAXIMUM DISCHARGE VOLTAGE (kV) | | | | | | |
|--------------------------------|-----------------|------------------------|--------|------|-------|-------|
| FOW | SWITCHING SURGE | 8/20 LIGHTNING IMPULSE | | | | |
| | | 1.5 kA | 3.0 kA | 5 kA | 10 kA | 20 kA |
| 10 kA | 500 A | 22.8 | 24.1 | 25.2 | 27 | 30.4 |
| 30.4 | 21.3 | | | | | |

| | | | | | |
|------------------------------------|---------------------------------------------------------------------------------------------------------------------------------------------------------------------------------------------------------------------------------------------------------------------------------------------------------------------------|-----------------------------|----------|-----------------------|----------|
| RISER POLE SURGE ARRESTER |  HUBBELL® POWER SYSTEMS | TITLE | | | |
| | | PVR ARRESTER 8.4 KV MCOV | | | |
| REV DATE | <small>CONFIDENTIAL: THIS DRAWING AND ITS CONTENTS ARE CONFIDENTIAL AND THE EXCLUSIVE PROPERTY OF HUBBELL POWER SYSTEMS. NO PUBLICATION, DISTRIBUTION OR COPIES MAY BE MADE WITHOUT THE WRITTEN CONSENT OF HUBBELL POWER SYSTEMS. HUBBELL POWER SYSTEMS UNPUBLISHED ALL RIGHTS RESERVED UNDER THE COPYRIGHT LAWS.</small> | SIZE | DWG NO. | CAT / PART / ASSY NO. | REV |
| 06/22/20 | | S | ALES81XX | 221609-8897 | 17 |
| DO NOT SCALE THIS DRAWING | | DRN BY | PRO | DATE | 04/17/02 |
| | | | | SHEET | 1 OF 1 |