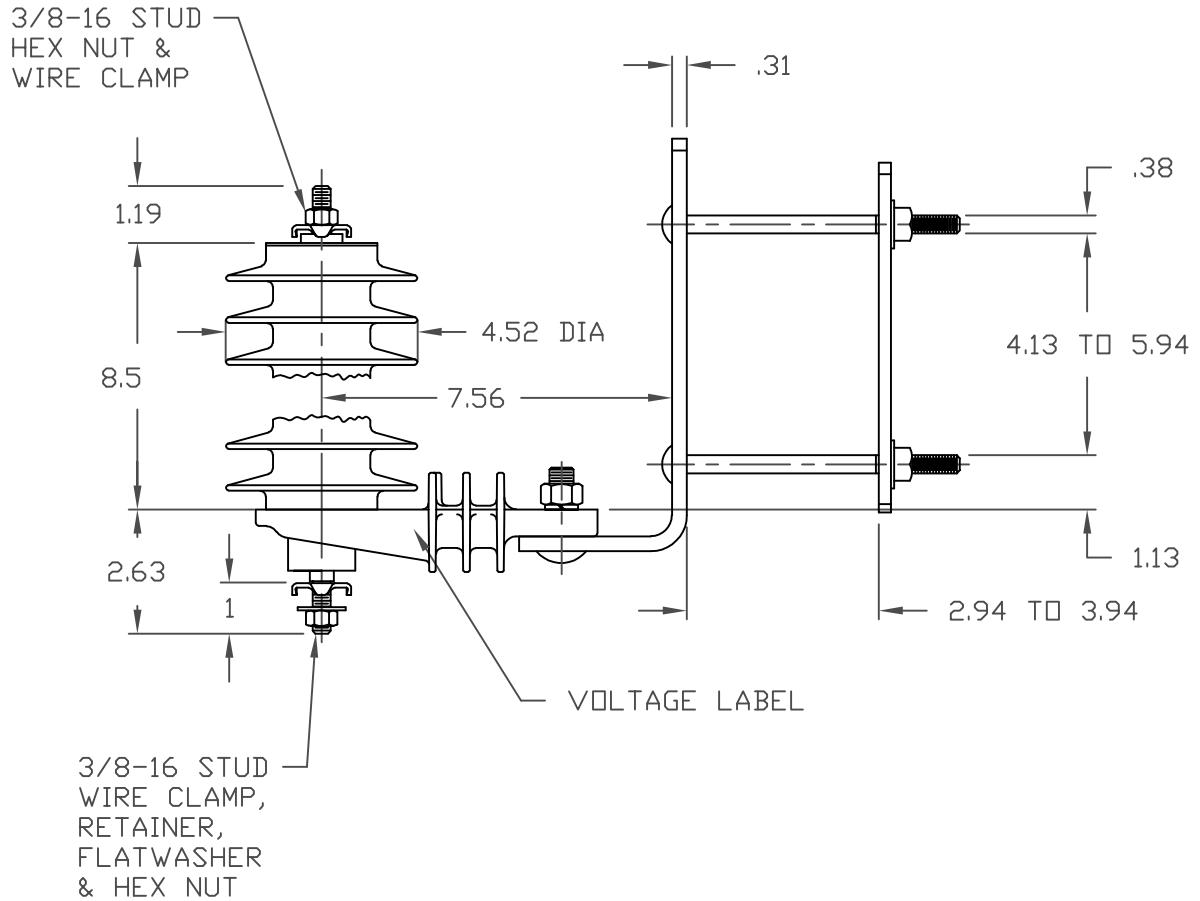



NOTES:

1. DIMENSIONS SUBJECT TO +/- 3% TOLERANCE
2. LEAKAGE DISTANCE (Inches) - 26.0
3. ALTITUDE 0-12000 FT. ABOVE SEA LEVEL
4. WEIGHT OF UNIT INCLUDING HARDWARE - 5 LB.
5. MAXIMUM CONTINUOUS LINE-TO-GROUND OPERATING VOLTAGE 12.7 kV MCOV
6. VOLTAGE RATING 15 kV RMS.
7. PVR RISER LABEL ON UNDERSIDE OF INSULATING BASE, OR ARRESTER



| MAXIMUM DISCHARGE VOLTAGE (kV) |                 |                        |        |      |       |       |      |      |
|--------------------------------|-----------------|------------------------|--------|------|-------|-------|------|------|
| FOW                            | SWITCHING SURGE | 8/20 LIGHTNING IMPULSE |        |      |       |       |      |      |
|                                |                 | 1.5 kA                 | 3.0 kA | 5 kA | 10 kA | 20 kA |      |      |
| 10 kA                          | 500 A           | 45.7                   | 32.1   | 34.4 | 36.2  | 37.9  | 40.5 | 45.4 |

|                                    |   |   |          |                               |         |                           |     |            |               |              |
|------------------------------------|---|---|----------|-------------------------------|---------|---------------------------|-----|------------|---------------|--------------|
| RISER<br>POLE<br>SURGE<br>ARRESTER | <p>CONFIDENTIAL: THIS DRAWING AND ITS CONTENTS ARE CONFIDENTIAL AND THE EXCLUSIVE PROPERTY OF HUBBELL POWER SYSTEMS. NO PUBLICATION, DISTRIBUTION OR COPIES MAY BE MADE WITHOUT THE WRITTEN CONSENT OF HUBBELL POWER SYSTEMS. HUBBELL POWER SYSTEMS UNPUBLISHED ALL RIGHTS RESERVED UNDER THE COPYRIGHT LAWS.</p> |  |          | <p>HUBBELL® POWER SYSTEMS</p> |         |                           |     |            |               |              |
|                                    |   | <p>TITLE</p> <p>PVR ARRESTER<br/>12.7 KV MCOV</p>                                   |          | SIZE                          | DWG NO. | CAT / PART / ASSY NO.     | REV |            |               |              |
| REV DATE                           | 06/22/20  | S   | ALES7XXX | 221613-7224                   | 33      | DO NOT SCALE THIS DRAWING |     | DRN BY PRO | DATE 06/17/00 | SHEET 1 OF 1 |