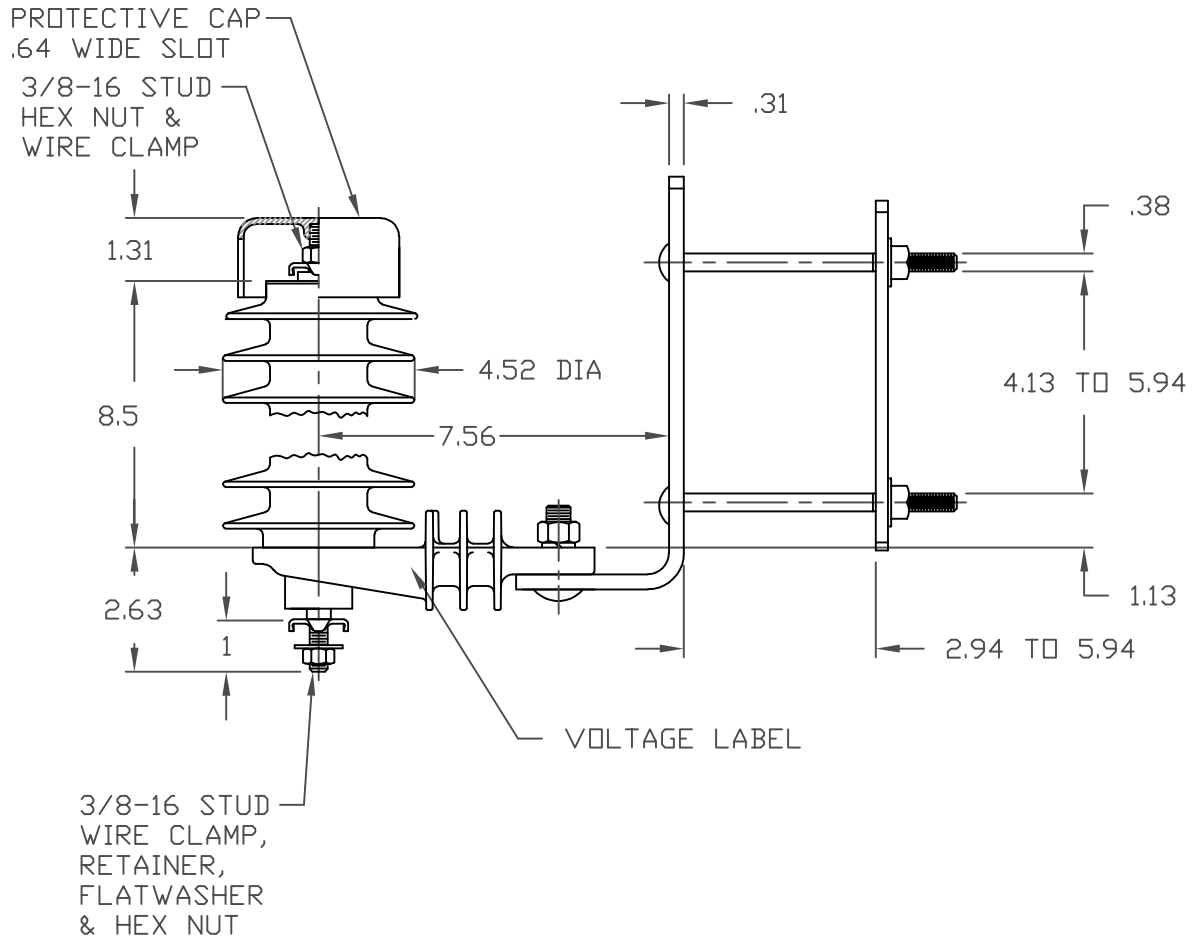



NOTES:

1. DIMENSIONS SUBJECT TO +/- 3% TOLERANCE
2. LEAKAGE DISTANCE (Inches) - 26.0
3. ALTITUDE 0-12000 FT. ABOVE SEA LEVEL
4. WEIGHT OF UNIT INCLUDING HARDWARE - 8.8 LB.
5. MAXIMUM CONTINUOUS LINE-TO-GROUND OPERATING VOLTAGE 15.3 kV MCOV
6. VOLTAGE RATING 18 kV RMS.
7. PVR RISER LABEL ON UNDERSIDE OF INSULATING BASE, OR ARRESTER



MAXIMUM DISCHARGE VOLTAGE (kV)						
FOW	SWITCHING SURGE	8/20 LIGHTNING IMPULSE				
		1.5 kA	3.0 kA	5 kA	10 kA	20 kA
10 kA	500 A	41.5	43.7	45.7	48.9	54.6
54.8	38.7					

RISER POLE SURGE ARRESTER	<p>CONFIDENTIAL: THIS DRAWING AND ITS CONTENTS ARE CONFIDENTIAL AND THE EXCLUSIVE PROPERTY OF HUBBELL POWER SYSTEMS. NO PUBLICATION, DISTRIBUTION OR COPIES MAY BE MADE WITHOUT THE WRITTEN CONSENT OF HUBBELL POWER SYSTEMS. HUBBELL POWER SYSTEMS UNPUBLISHED ALL RIGHTS RESERVED UNDER THE COPYRIGHT LAWS.</p>	 HUBBELL® POWER SYSTEMS			
		TITLE PVR ARRESTER 15.3 KV MCOV			
REV DATE	06/22/20	SIZE	DWG NO.	CAT / PART / ASSY NO.	REV
		S	ALES7XXX	221615-7354	33
DO NOT SCALE THIS DRAWING		DRN BY	PRO	DATE	06/17/00
				SHEET 1 OF 1	