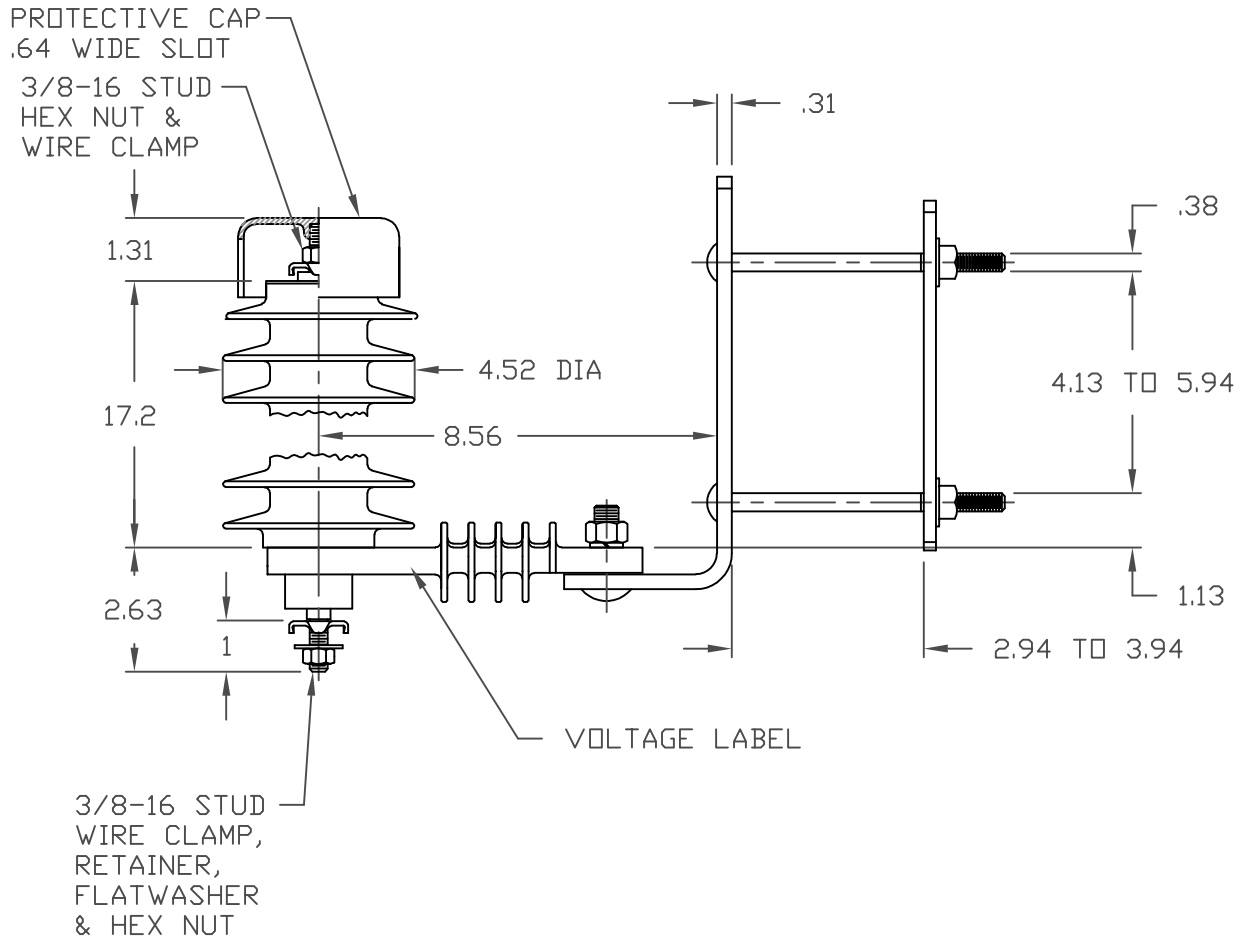



NOTES:

1. DIMENSIONS SUBJECT TO +/- 3% TOLERANCE
2. LEAKAGE DISTANCE (Inches) - 52.0
3. ALTITUDE 0-12000 FT. ABOVE SEA LEVEL
4. WEIGHT OF UNIT INCLUDING HARDWARE - 6.9 LB.
5. MAXIMUM CONTINUOUS LINE-TO-GROUND OPERATING VOLTAGE 24.4 kV MCOV
6. VOLTAGE RATING 30 kV RMS.
7. PVR RISER LABEL ON UNDERSIDE OF INSULATING BASE, OR ARRESTER



MAXIMUM DISCHARGE VOLTAGE (kV)						
FOW	SWITCHING SURGE	8/20 LIGHTNING IMPULSE				
10 kA	500 A	1.5 kA	3.0 kA	5 kA	10 kA	20 kA
91.4	64	68.6	72.3	75.6	81	90.3

RISER POLE SURGE ARRESTER	 <b>HUBBELL® POWER SYSTEMS</b>	TITLE PVR ARRESTER 24.4 KV MCOV			
		SIZE S	DWG NO. ALES7XXX	CAT / PART / ASSY NO. 221624-7324	REV 33
REV DATE 05/01/20	CONFIDENTIAL: THIS DRAWING AND ITS CONTENTS ARE CONFIDENTIAL AND THE EXCLUSIVE PROPERTY OF HUBBELL POWER SYSTEMS. NO PUBLICATION, DISTRIBUTION OR COPIES MAY BE MADE WITHOUT THE WRITTEN CONSENT OF HUBBELL POWER SYSTEMS. HUBBELL POWER SYSTEMS UNPUBLISHED ALL RIGHTS RESERVED UNDER THE COPYRIGHT LAWS.	DO NOT SCALE THIS DRAWING	DRN BY PRO	DATE 06/17/00	SHEET 1 OF 1