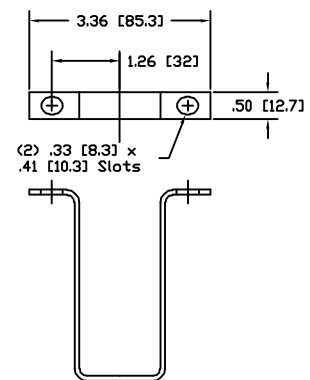
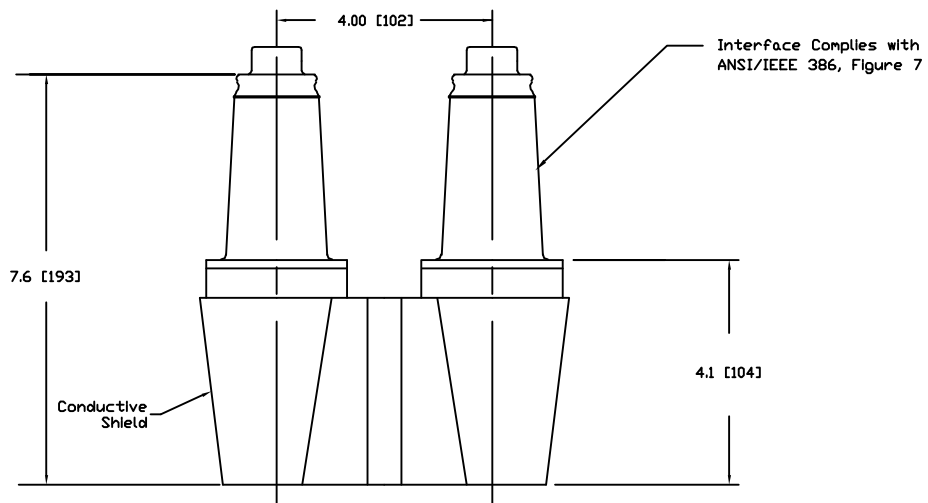


NOTES:
 1. Dim: in. [mm]
 2. 1 U-strap assembly included.



CONFIDENTIAL: THIS DRAWING AND ITS CONTENTS ARE CONFIDENTIAL AND THE EXCLUSIVE PROPERTY OF HUBBELL POWER SYSTEMS. NO PUBLICATION, DISTRIBUTION OR COPIES MAY BE MADE WITHOUT THE WRITTEN CONSENT OF HUBBELL POWER SYSTEMS. HUBBELL POWER SYSTEMS UNPUBLISHED ALL RIGHTS RESERVED UNDER THE COPYRIGHT LAWS.				HUBBELL POWER SYSTEMS			
		TITLE JUNCTION 2P 25 KV				REV 0	
REV DATE	04/11/13	SIZE	DWG NO. B --	CAT / PART / ASSY NO. 228J2U	DATE	04/11/13	SHEET 1 OF 1
		DO NOT SCALE THIS DRAWING		DRN BY JVR			