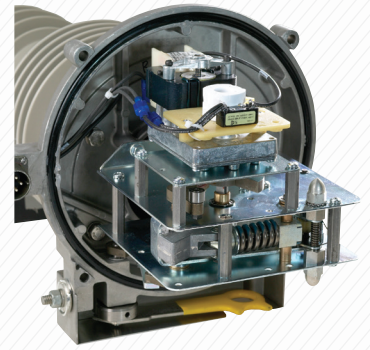


Solenoid Operator

- Available with 120Vac, 240Vac, or 125Vdc control voltage
- Low operating current: 120V at 9A, 240V at 4.5A
- 200A and 400A available (400A is a dual solenoid)
- Positive latching cam prevents delatching due to shock and vibration
- Durable and maintenance-free design



Solenoid Operator



Motor Operator

Motor Operator

- Available with 120Vac or 240Vac control voltage
- Low operating current: 120V at 3A, 240V at 1.5A
- 200A Only

UltraVac® Capacitor Switch Selection

Operator Type	kV Class	Rated Max Voltage Line to Line (kV, RMS)		kV BIL	Available Design	Auxiliary Option (See Note 3)	Part Number ¹
		Ungrounded Banks	Grounded Banks				
200A							
Motor	15	15.5	23.4	110	V-Arm or Compact	None	33247501
				125	V-Arm or Compact	None	33249401
	25	20	41.5	125	V-Arm or Compact	None	33247601
				150	V-Arm or Compact	None	33248401
Solenoid	15	17.8	26.8	110	V-Arm or Compact	Form C SPDT ²	33247102
				125	V-Arm or Compact	Form C SPDT ²	33247202
	25	27.6	41.5	150	V-Arm or Compact	Form C SPDT ²	33247402
400A							
Solenoid	15	15.5	23.4	110	Compact Only	Form C SPDT ²	33257102C
				125	Compact Only	Form C SPDT ²	33257202C
	25	27.6	41.5	150	Compact Only	Form C SPDT ²	33257402C

STANDARD: Two wildlife protectors, Manual open and close handle included. Contact factory for options not listed above.

1. Add a "C" suffix to the standard part number at time of order for Compact version
2. Form C SPDT contains A & B Contacts with LV supply common neutral
3. Other auxiliary Forms available including, but not limited to Form A (N/O) Dry, Form B (N/C) Dry and Form C Dry

Creepage Distance

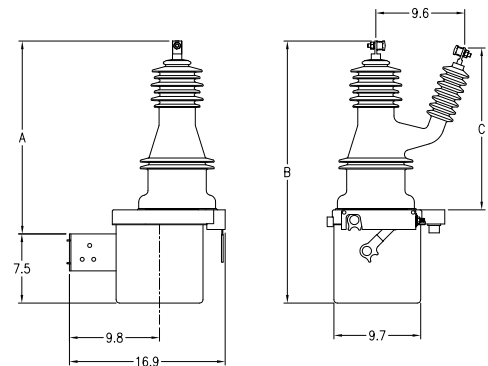
	Standard UltraVac		Compact UltraVac	
	15kV (M) ⁱ	25kV (M) ⁱⁱ 15 & 25kV (S)	15kV (M)	25kV (M) 15 & 25kV (S)
Terminal to Terminal (in/mm)	30/762	30/762	19/483	19/483
Terminal to Ground (in/mm)	27/685	33/838	11.5/292	18/457

Dimensions

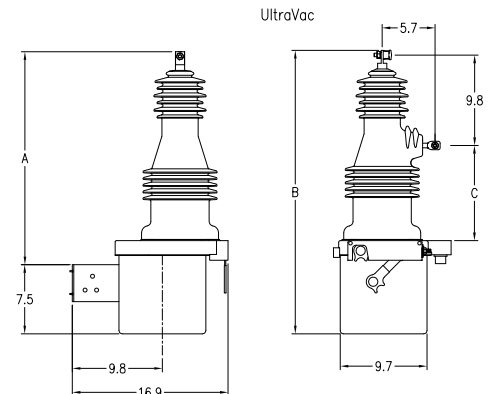
	Dimensions (in.)					
	Standard UltraVac			Compact UltraVac		
	A	B	C	A	B	C
15kV, 200A	20.9	28.6	17.6	20.9	28.6	8.1
15kV, 200A (S) 25kV, 200A (M & S)	23.1	30.8	19.7	23.1	30.8	10.3
15kV, 400A (S) 25kV, 400A (S)	N/A	N/A	N/A	23.1	30.8	10.3

i: (M) - Motor Operated

ii: (S) - Solenoid Operated



Standard V-Arm



Compact UltraVac