

THIS DRAWING IS UNPUBLISHED.

RELEASED FOR PUBLICATION

,19

© COPYRIGHT 19

BY AMP INCORPORATED. ALL RIGHTS RESERVED.

LOC

DIST

REVISIONS

BG

1

P

LTR

DESCRIPTION

DATE

DWN

APVD

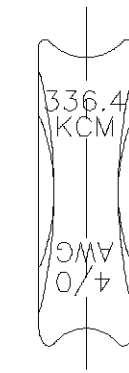
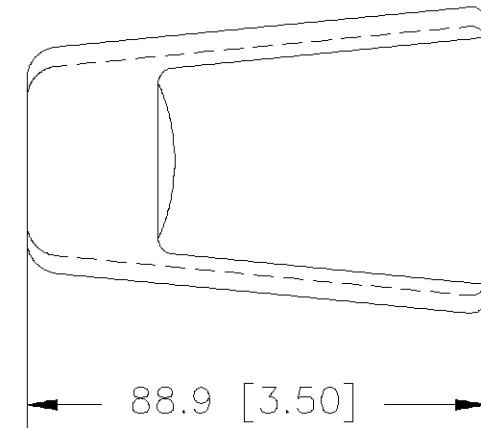
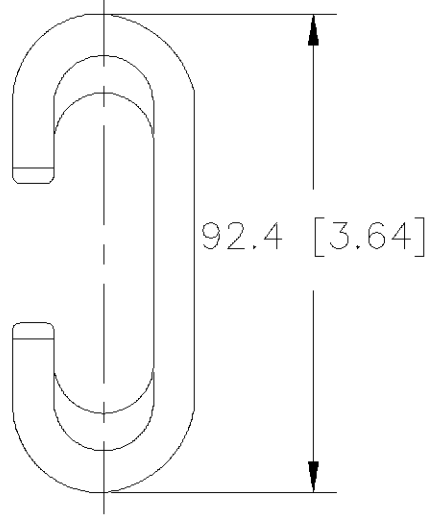
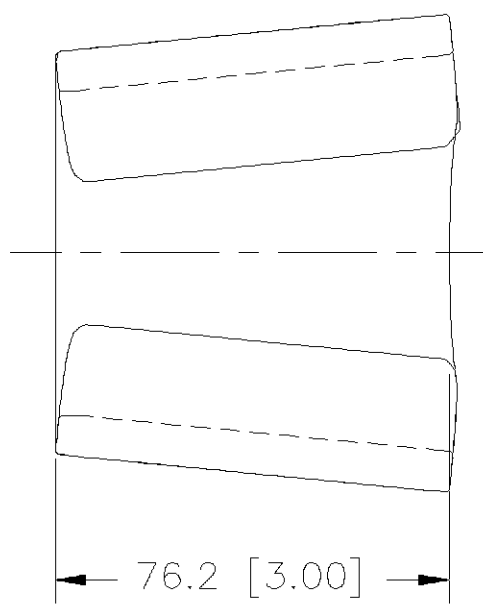
0

INITIAL RELEASE PER LC00-0124-97

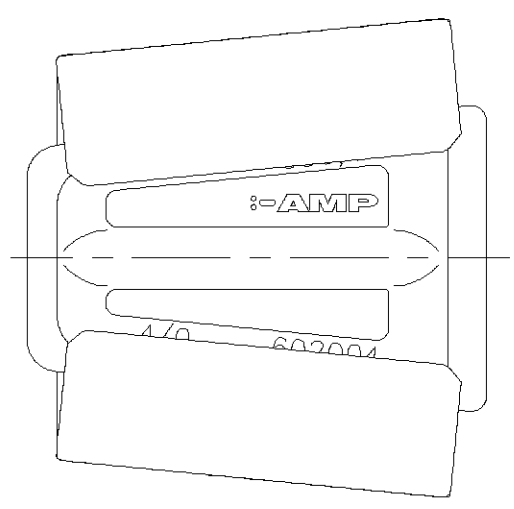
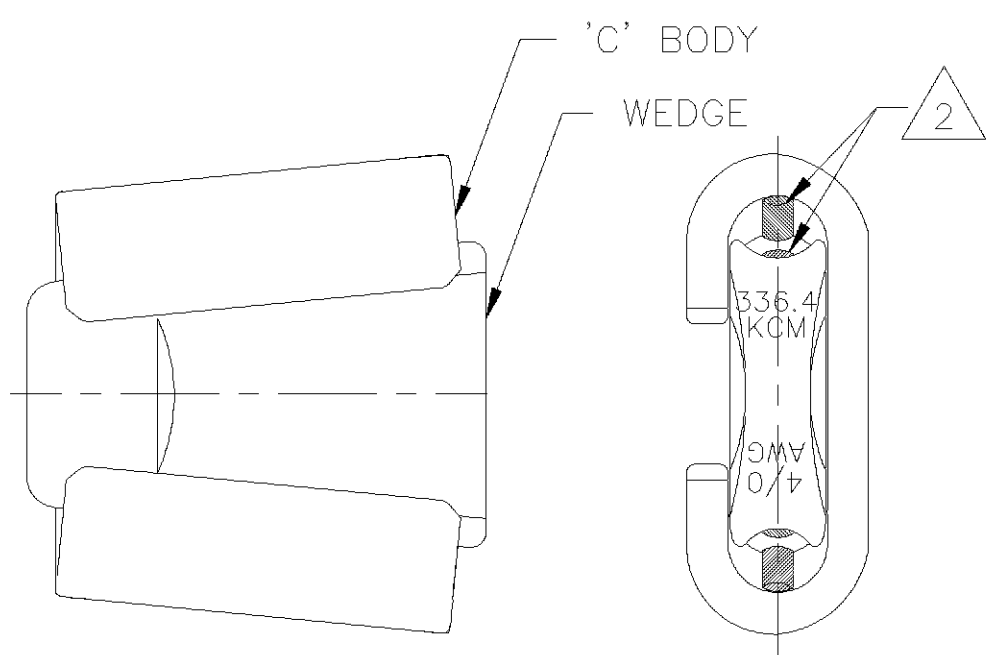
11DEC97

MC

PC



1. DIMENSIONS ARE FOR REFERENCE ONLY.
2. INHIBITOR IS APPLIED AT FACTORY TO GROOVES OF 'C' BODY AND WEDGE.
3. WIRE SIZES ARE MARKED ON WEDGE.
4. APPEARANCE OF WEDGE MAY VARY AS SHOWN.
5. USE YELLOW CARTRIDGE PART #69338-4.



ALTERNATE MARKING

ALUM. ALLOY	ALUM. ALLOY	602004
WEDGE QTY: 1	'C' BODY QTY: 1	PART NO.

THIS DRAWING IS A CONTROLLED DOCUMENT FOR AMP INCORPORATED. IT IS SUBJECT TO CHANGE AND THE CONTROLLING ENGINEERING ORGANIZATION SHOULD BE CONTACTED FOR THE LATEST REVISION.		DRAWN BY: M. CHOW 11DEC97	AMP AMP of Canada Ltd Markham, Ontario	
DIMENSIONS: mm [INCHES]		CHECKED BY: H. HENRY 17DEC97		
TOLERANCES UNLESS OTHERWISE SPECIFIED:		APPROVED BY: P. CHAN 17DEC97	NAME	
0 PLC ±-		PRODUCT SPEC	CONNECTOR, 336.4-4/0 YELLOW CODED, AMPACT	
1 PLC ±-		APPLICATION SPEC	SIZE	RESTRICTED TO
2 PLC ±-		WEIGHT	A3	—
3 PLC ±-		CUSTOMER DRAWING	CAGE CODE	DRAWING NO
4 PLC ±-			00779	©- 602004
ANGLES ±-		SCALE	SHEET	REV
FINISH		NTS	1 OF 1	0
MATERIAL	SEE TABLE			