

4

3

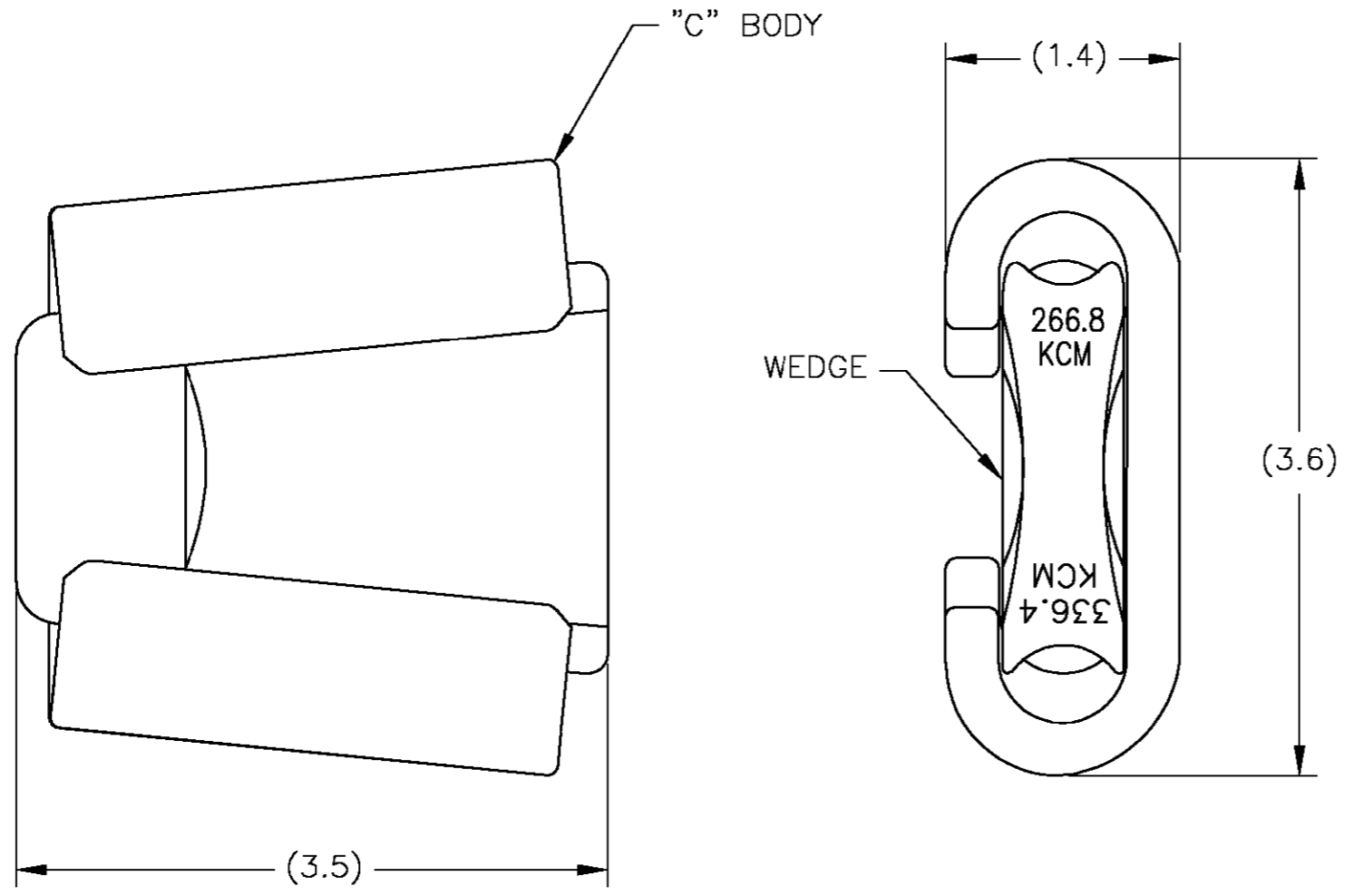
2

1

THIS DRAWING IS UNPUBLISHED. RELEASED FOR PUBLICATION
 © COPYRIGHT BY TYCO ELECTRONICS CORPORATION. ALL RIGHTS RESERVED.

LOC	DIST	REVISIONS			
P	LTR	DESCRIPTION	DATE	DWN	APVD
GA	1	A	INITIAL REL. PER LC20-0114-06	31MAY06	DM BJ

- 1. WEDGE AND C BODY ARE MADE OF ALUMINUM ALLOY.
- 2. DIMENSIONS ARE FOR REFERENCE ONLY.
- 3. INHIBITOR IS APPLIED AT FACTORY, TO GROOVES OF WEDGE AND C BODY.



602006
 TYCO P/N

THIS DRAWING IS A CONTROLLED DOCUMENT.		DWN D. MURUGIAH 31MAY2006	Tyco Electronics Corporation Markham, ON L3R-1E1	
DIMENSIONS: INCHES		CHK A. BULZA 31MAY2006	NAME AMPACT CONNECTOR, 336.4 SERIES, YELLOW CODED, 336.4 KCMIL-266.8 KCMIL	
		APVD B. JOHNSON 31MAY2006	PRODUCT SPEC -	
TOLERANCES UNLESS OTHERWISE SPECIFIED:		APPLICATION SPEC -		RESTRICTED TO -
0 PLC ± 1 PLC ± 2 PLC ± 3 PLC ± 4 PLC ± ANGLES ±		WEIGHT -	SIZE A3	CAGE CODE 00779
MATERIAL 1		DRAWING NO C-602006		SCALE NTS
FINISH NONE		CUSTOMER DRAWING		SHEET 1 OF 1
				REV A