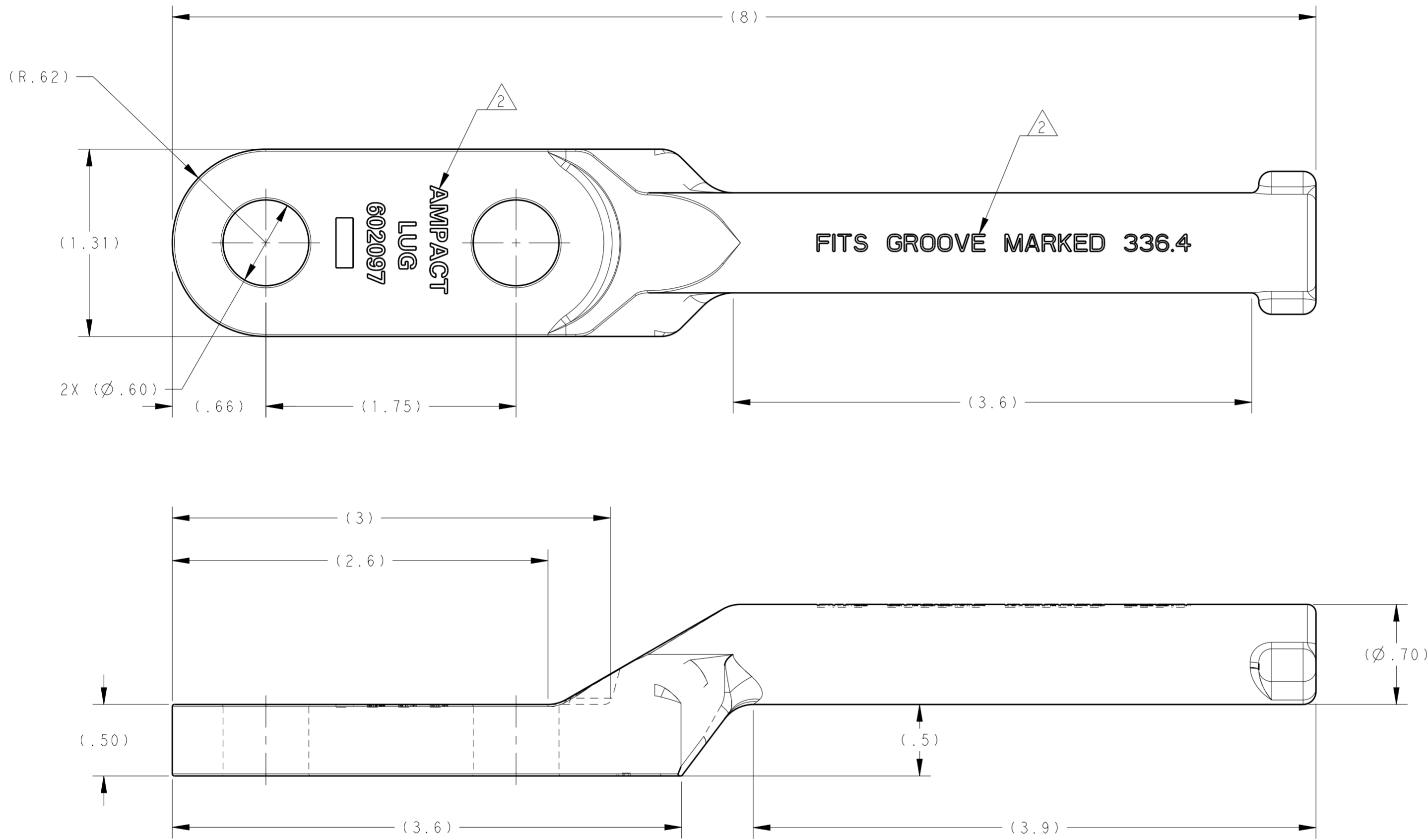


THIS DRAWING IS UNPUBLISHED. RELEASED FOR PUBLICATION 20
 © COPYRIGHT 20 BY - ALL RIGHTS RESERVED.

REVISIONS				
P	LTR	DESCRIPTION	DATE	APVD
C		LC20-0004-03	09JAN2003	CD BJ
K		LC20-0102-18 / ECO-18-013822	30AUG2018	DM BJ



- ACCOMMODATES:
GROOVE SIZED 336.4 STD STR CONDUCTOR.
- MARKING:
AMPACT LUG
602097
[DATE CODE]
FITS GROOVE MARKED 336.4
- ALL DIMENSIONS ARE FOR REFERENCE ONLY.

0.4 lbs	AL ALLOY	602097
WEIGHT	MATERIAL	PART NO.

THIS DRAWING IS A CONTROLLED DOCUMENT.		DWN C. DAVID 12JAN2001	STE TE Connectivity	
DIMENSIONS: INCHES		CHK D. LADIN 12JAN2001		
TOLERANCES UNLESS OTHERWISE SPECIFIED:		APVD B. JOHNSON 12JAN2001	NAME TERMINAL LUG, 2 HOLE PADDLE, 336.4 STR GROOVE SIZE, AMPACT	
0 PLC ±		PRODUCT SPEC	SIZE CAGE CODE DRAWING NO	
1 PLC ±		APPLICATION SPEC	RESTRICTED TO	
2 PLC ±		WEIGHT SEE TABLE	A200779C-602097	
3 PLC ±		CUSTOMER DRAWING	SCALE NTS	SHEET 1 OF 1
4 PLC ±				REV K
ANGLES ±				
FINISH -				