

15 kV LOADBREAK REDUCING TAP PLUG



Ratings

Maximum Continuous Voltage.....8.3 kV Phase-to-Ground
14.4 kV Phase-to-Phase
Continuous Current.....200 A

Short-Time Current Ratings

0.17 Sec. Duration.....10,000 A rms Symmetrical
3.00 Sec. Duration.....3,500 A rms Symmetrical

Insulation Withstand Voltages

Basic Impulse Level.....95 kV Crest (1.2 x 50 μSec. wave)
60 Hz (60 Sec.).....34 kV rms
Partial Discharge Extinction Voltage (5 pC).....11 kV rms

Switching

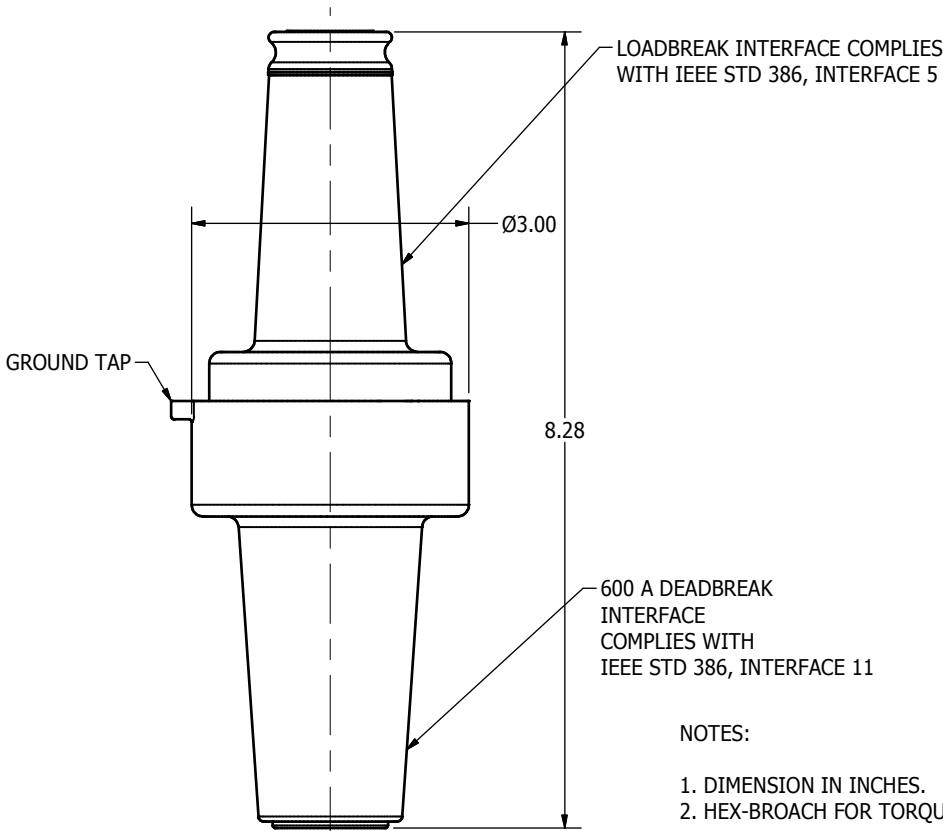
1-Phase & 3-Phase Circuits 8.3 kV Phase-to-Ground, 14.4 kV maximum across the open contacts. 10 make/break operations at 200 A with 0.70-0.80 lagging power factor.

Fault Closure

One Fault-Close Operation at max 8.3 kV Phase-to-Ground, or max 14.4 kV Phase-to-Phase; max 10,000 A rms Symmetrical, 10 Cycles (0.17 Sec.).

Production Tests

100% factory tested for Partial Discharge and either AC 60 Hz (34 kV for 60 Sec.) or Impulse (BIL) (95 kV 1.2 x 50 μSec. wave).



NOTES:

1. DIMENSION IN INCHES.
2. HEX-BROACH FOR TORQUE IN INSTALLATION INCLUDED.

The Hubbell 15kV Loadbreak Reducing Tap Plug (ETP) is designed to add a 200A loadbreak interface to an existing 600A deadbreak T-body. It is ideal for retrofitting an existing bolted elbow with a 200A tap to apply arrester protection or use to test and ground 600A systems. When mated with comparably rated T-bodies and other accessories, the ETP provides a fully shielded and submersible connection.

<p>CONTENTS ARE CONFIDENTIAL AND THE EXCLUSIVE PROPERTY OF HUBBELL POWER SYSTEMS, INC. NO PUBLICATION, DISTRIBUTION OR COPIES MAY BE MADE WITHOUT THE WRITTEN CONSENT OF HUBBELL POWER SYSTEMS, INC. HUBBELL POWER SYSTEMS UNPUBLISHED ALL RIGHTS RESERVED UNDER THE COPYRIGHT LAWS.</p>				<p>HUBBELL POWER SYSTEMS, Inc.</p>	
		<p>TITLE</p> <p>LOADBREAK ELBOW TAP PLUG 15 KV</p>			
<p>REV DATE</p> <p>01/27/17</p>	<p>SIZE</p> <p>SB</p>	<p>DWG NO.</p>	<p>CAT / PART / ASSY NO.</p> <p>615ETP</p>	<p>REV</p> <p>1</p>	<p>DO NOT SCALE THIS DRAWING</p>
		<p>DRN BY</p> <p>JVR</p>	<p>DATE</p> <p>11/07/2006</p>	<p>SHEET 1 OF 1</p>	