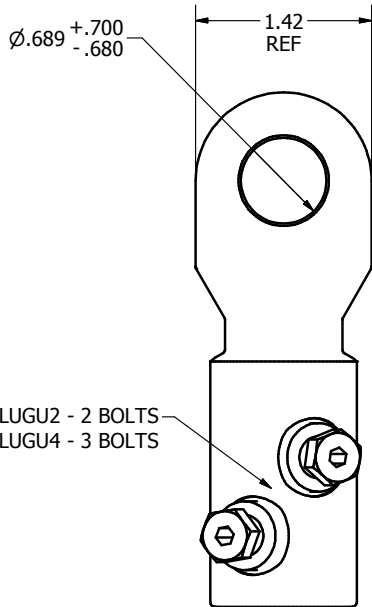
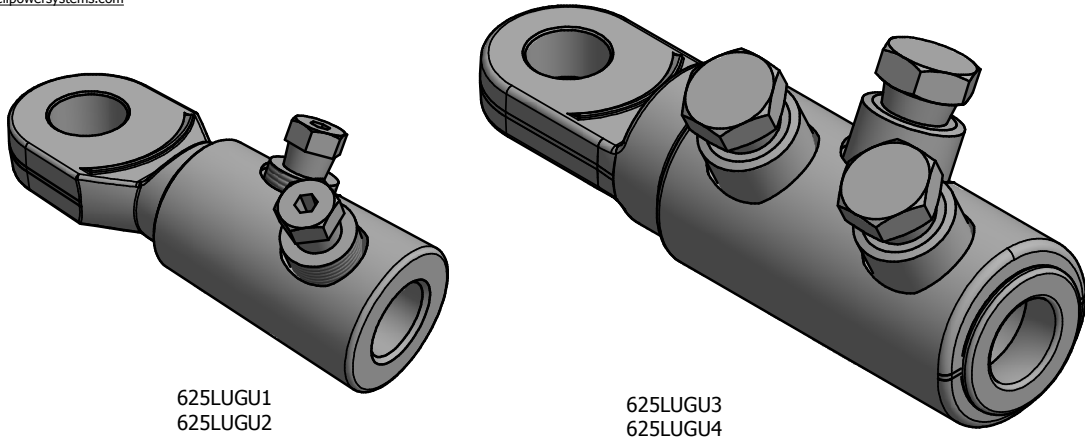
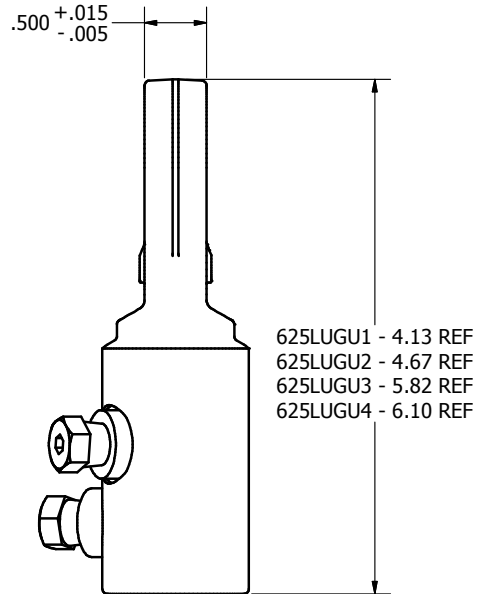


# 600A SHEAR BOLT



625LUGU1, 625LUGU2 - 2 BOLTS  
625LUGU3, 625LUGU4 - 3 BOLTS



HOW TO ORDER			
TO ORDER SEPARATELY	TO ORDER AS PART OF A KIT*	STRANDED / COMPRESSED	SOLID / COMPACT
625LUGU1	U1	#2 THROUGH 250	#1 THROUGH 300
625LUGU2	U2	4/0 THROUGH 450	250 THROUGH 500
625LUGU3	U3	350 THROUGH 750	400 THROUGH 900
625LUGU4	U4	750 THROUGH 1250	800 THROUGH 1250

\*TO ORDER AS PART OF A 600A TBODY KIT, REPLACE THE 2 DIGIT STANDARD CONNECTOR CODE WITH U1, U2, U3 OR U4

CONFORMS TO ALL REQUIREMENTS OF IEEE/ANSI C119.4 - 2011

		<b>HUBBELL POWER SYSTEMS, Inc.</b> POWER SYSTEMS, INC.		
				TITLE <b>600A SHEAR BOLT LUGS</b>
CONTENTS ARE CONFIDENTIAL AND THE EXCLUSIVE PROPERTY OF HUBBELL POWER SYSTEMS. NO PUBLICATION, DISTRIBUTION OR COPIES MAY BE MADE WITHOUT THE WRITTEN CONSENT OF HUBBELL POWER SYSTEMS. HUBBELL POWER SYSTEMS UNPUBLISHED ALL RIGHTS RESERVED UNDER THE COPYRIGHT LAWS.	SIZE <b>SB</b>	DWG NO. -	CAT / PART / ASSY NO. <b>625LUGUX</b>	REV <b>0</b>
	REV DATE <b>04/10/17</b>	DO NOT SCALE THIS DRAWING	DRN BY BvB	DATE 04/07/17