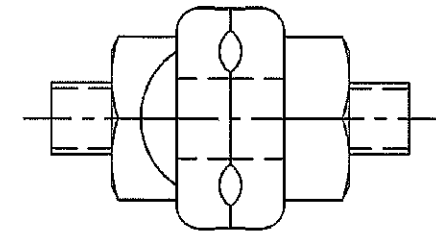
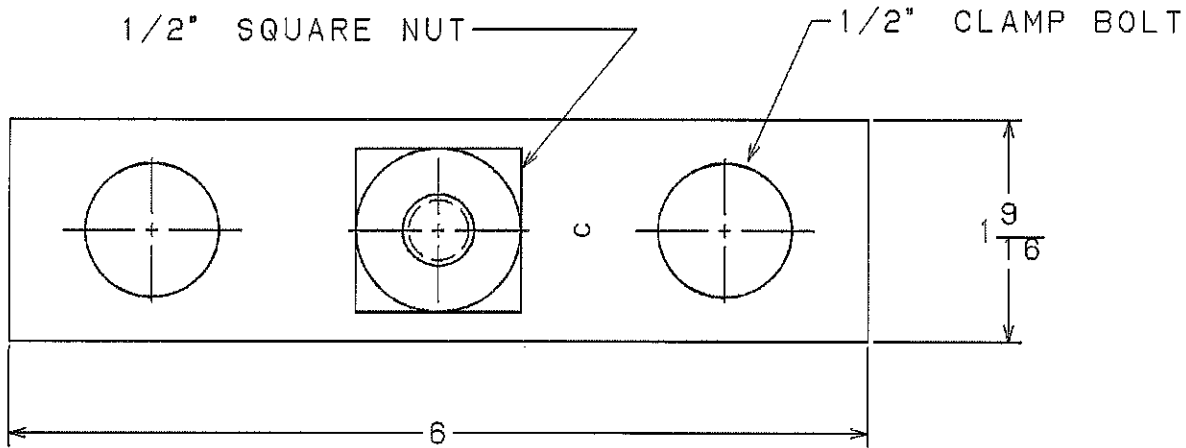





=NOTE=

L: STEEL, HOT DIP GALV PER ASTM
 LATEST REVISION.
 END SIZE 1/4 THRU 7/16



CATALOG NUMBER
 C6450

LATEST EC NO:		REV.	DATE	CHANGED BY	RESP ENGINEER
93031006		-	-----	---	ODOM
				DO NOT SCALE THIS DWG	THIRD ANGLE PROJECTION ISO DUAL DIMENSIONING IN=INCH, MM=MILLIMETER
DRN BY:	DATE	TITLE:			
QUALLS	03-12-93	GUY CLAMP			
				 DWG NO: SA6450	