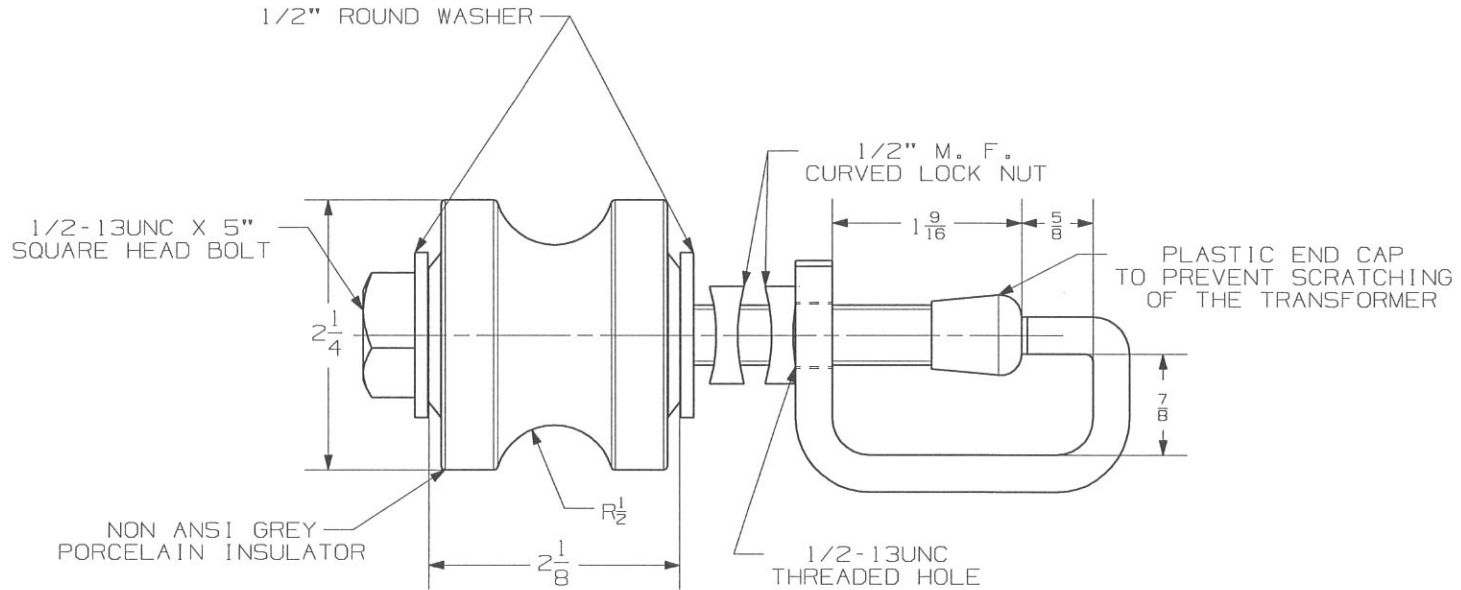


3D VIEW

-NOTES-

1. MATERIAL: HOT ROLLED STEEL PER AISI 1020 OR ASTM A36.
2. HOT DIP GALVANIZE PER ASTM SPEC A153-(LATEST REV).



CATALOG NUMBER : 9113S

LATEST EC NO:		REV.	DATE	CHANGED BY	RESP ENGINEER
---		-	-----	---	---
				DO NOT SCALE THIS DWG	THIRD ANGLE PROJECTION
				1:50 DUAL DIMENSIONS IN=INCH, MM=MILLIMETER	
DRN BY:	DATE	TITLE:			
BERGER	09-06-12	TRANSFORMER BRKT, SECONDARY LEAD			
					SIZE B
				DWG NO: SA9113S	

CONFIDENTIAL: THIS DRAWING AND ITS CONTENTS ARE CONFIDENTIAL AND THE EXCLUSIVE PROPERTY OF HUBBELL POWER SYSTEMS, INC. NO PUBLICATION, DISTRIBUTION OR COPIES MAY BE MADE WITHOUT WRITTEN CONSENT BY HUBBELL POWER SYSTEMS, INC. © 2012 HUBBELL POWER SYSTEMS. UNPUBLISHED. ALL RIGHTS RESERVED UNDER THE COPYRIGHT LAWS