

REV.5

D-20

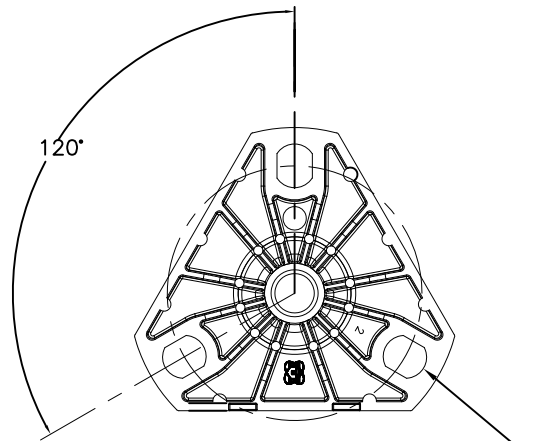
05/20



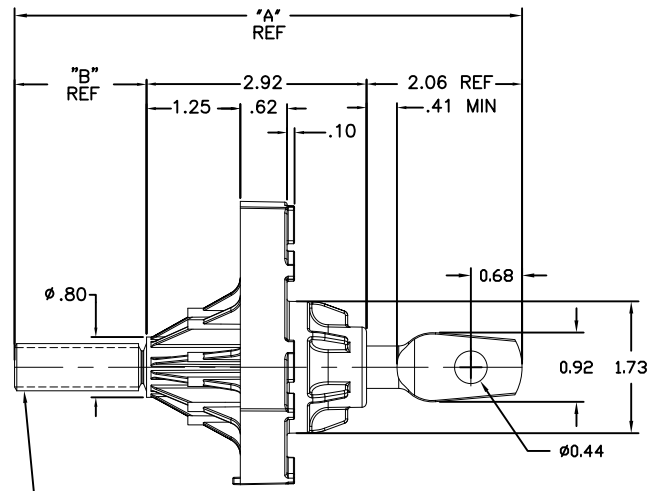
TITLE **3 2B098015F01**
CONT ON SH SH

UNLESS OTHERWISE SPECIFIED, TOLERANCES ARE			
SURFACES	2 PL DEC	3 PL DEC	ANGLES
✓	±	±	± DEG

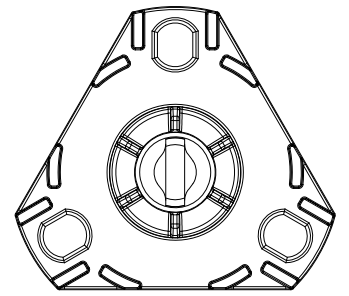
OUTLINE (TRICLAMP 5/8 STUD THERMOPLASTIC)
FIRST MADE FOR *LV BUSHING*



0.47 X 0.59 SLOT
ON 3.375 DIAMETER
BOLT CIRCLE
FOR 0.375 STUD



5/8-11-UNC-2A THREADED STUD



Dimensions in inches

MODEL NUMBER	DESCRIPTION	"A"	"B"
9U10BAA002	w/gasket and nut	6.73	1.75
9U10BAA005	w/gasket and nut	7.24	2.19
2A956001P11	gasket		
N211P33	5/8-11 brass nut		

REVISIONS	APPROVAL	ECI
1 STULPIN 26-MAR-01 ADDED TABLE ECN F670		
2 N. Adams 4/19/06 Added 9U10BAA004 to list ECN F995		
3 N. Adams 4/20/06 Removed 9U10BAA002 ECN F996		
4 N. Adams 12/07/07 Add 9U10BAA002 & 003 ECN B377		
5 N. Adams 05/14/20 Remove 9U10BAA003 & 9U10BAA004 ECN B1172		
MADE BY: S. STULPIN 14-SEPT-00	APPROVAL	PRINTS TO
REISSUED BY: Nicholas Adams 05/14/20		
		3 2B098015
		CONT ON SH SH