



ACP1LED Series American Compact LED Floodlight

PRODUCT OVERVIEW



Applications:

- | | |
|------------------|------------------|
| Auto dealerships | Shopping centers |
| Schools | Parking lots |
| Churches | Substations |
| Industrial sites | Building facades |

Features:

Mechanical

Low copper content die cast aluminum A360 alloy castings. Die cast aluminum housing has integral heat sink fins to optimize thermal management through conductive and convective cooling. Bolted or stainless steel latch option disengages top electrical cover for easy access to LED drivers, surge module, and terminal block. Vibration rated to 3G applications per ANSI C136.31-2001 and rated IP66 per IEC60068-2-3.

IP66 rated luminaire per IEC60068-2-3. Rigorous five-stage pre-treating and painting process yields a finish that achieves a scribe creepage of 8 after 5,000 hours exposure to salt fog chamber per ASTM B117. External fasteners shall be stainless steel. Yoke shall be painted steel or galvanized. Knuckle shall be adjustable to fit 2-3/8 inch to 2-7/8 tenon.

Electrical

LED light engine is rated for > 100,000 hours at 25C, L70. Electronic driver has an expected life of 100,000 hours at a 25C ambient.

Robust surge protection: 20kV/10kA surge protection per ANSI C136.2 is the default, with 10kV/5kA surge optional.

Driver power factor is 90% minimum. Driver meets maximum total harmonic distortion (THD) of 20% and is ROHS compliant.

XVOLT - Electrical option provides protection against dropped neutral in 277V input as derived from 480V Wye. XVOLT also provides greater immunity from six common power quality issues.

Optical

Six multi-die LED's combined with highly specular reflectors provide superior field to beam ratios, uniformity, and spacing.

NEMA optical pattern choice of flood (5x5), wide flood (6x6), and wide flood rectangle (6x5). The luminaire is available with 3000K, 4000K, and 5000K CCT with minimum CRI of 70.

Optional shielding available to control light trespass and uplight. Optical enclosure shall be glass lens.

Controls

3 pin and 7 pin rotatable NEMA photocontrol receptacles available.

Optional premium solid state locking- style photocontrol – DSS (10 year rated life).

Optional extreme long life solid state locking –style photocontrol – DLL (20 year rated life).

Optional onboard adjustable output module allows the light output and input wattage to be modified to meet site specific requirements.

Optional networked nLightAIR occupancy and motion sensor

Warranty and Standards

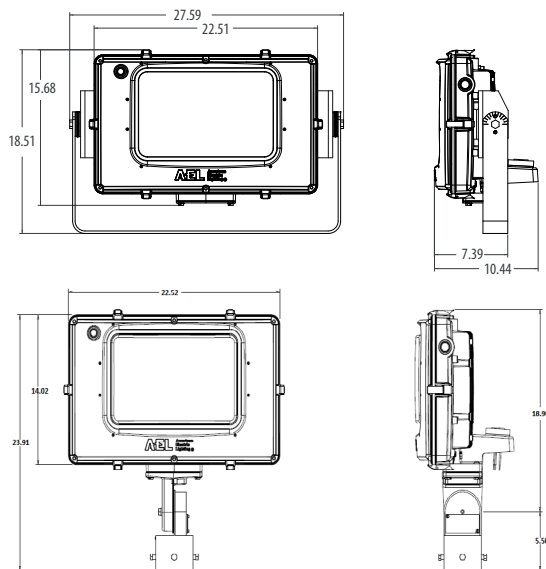
Five year warranty. Full warranty terms located at:

www.acuitybrands.com/support/warranty/terms-and-conditions

Suitable for ambient temperature -40C to 40C.

CSA Certified to U.S. and Canadian standards.

DIMENSIONS



Effective Projected Area (EPA)

The EPA for the LED Flood™ Series ACP1LED

Knuckle mounting Max EPA 2.9 sq. ft.,

Approx. 40 lbs.

Yoke mounting is Max EPA 3.1 sq. ft.,

Approx. 47 lbs.

ACP1LED Series

American Compact LED Floodlight

ORDERING INFORMATION

Series	LED Performance Package	Voltage	Optics	Color Temperature	Mounting Methods
ACP1LED	P10 38,000 Lumens P20 43,000 Lumens P30 47,500 Lumens P40 52,300 Lumens P50 57,000 Lumens	MVOLT Multi-volt (120V - 277V) 347 347V 480 480V XVOLT 277V-480V	55 Flood (5x5) 66 Wide Flood (6x6) 65 Wide Flood Rectangular (6x5)	Blank 4000K CCT 3K 3000K CCT 5K 5000K CCT	TM Tenon Slipfitter - knuckle (cord exits bottom slipfitter) KO Tenon Slipfitter - knuckle (cord exits via knock-out) YK Yoke Painted Steel YG Yoke Galvanized Steel

Color	Surge Protection	Controls	Cord Length	Cord Type
Blank Gray paint BK Black paint BZ Bronze paint GI Graphite paint WH White paint	Blank Default: 20kV/10kA Extreme Surge w/ Indicator Light (fail off) MP 10kV/5kA MOV (fail on)	Blank 3 pin rotatable NEMA receptacle P7 7 pin rotatable NEMA receptacle NR No PER receptacle PCLL Solid State Long Life Photocontrol PCSS Solid State Photocontrol HRSBOR nLight Air Occ. and daylight sensor (15-30 ft) LRSBOR nLight Air Occ. and daylight sensor (8-15 ft) SH Shorting Cap AO Field Adjustable Output ¹ DL DALI Driver - Consult Factory	04 4 ft cord length 05 5 ft cord length 06 6 ft cord length 08 8 ft cord length 10 10 ft cord length	23 12 gage, 3 conductor 43 14 gage, 3 conductor 63 16 gage, 3 conductor

Options	Accessories (Shipped Separately)
TL Tool-less entry with latches NL Nema Label XL No terminal block cover and not certified	ACP1LEDFV-BK Full Visor - Black Paint ACP1LEDFV-BZ Full Visor - Bronze Paint ACP1LEDFV-GI Full Visor - Graphite Paint ACP1LEDFV-GY Full Visor - Gray Paint ACP1LEDFV-WH Full Visor - White Paint ACP1LEDUBV-BK Upper/Bottom Visor - Black Paint ACP1LEDUBV-BZ Upper/Bottom Visor - Bronze Paint ACP1LEDUBV-GI Upper/Bottom Visor - Graphite Paint ACP1LEDUBV-GY Upper/Bottom Visor - Gray Paint ACP1LEDUBV-WH Upper/Bottom Visor - White Paint ACP1LEDVG Vandal Guard ACP1LEDWG Wire Guard

Notes:

1. AO not available with 20kV surge option.



AEL Headquarters, 3825 Columbus Road, Granville, OH 43023
 www.americanelectriclighting.com

© 2013-2020 Acuity Brands Lighting, Inc. All Rights Reserved. FL-ACP1LED 11/18/20

Warranty Five-year limited warranty. Complete warranty terms located at: www.acuitybrands.com/support/warranty/terms-and-conditions
 Actual performance may differ as a result of end-user environment and application. All values are design or typical values, measured under laboratory conditions at 25 °C. Specifications subject to change without notice.

Please contact your sales representative for the latest product information.

ACP1LED Series

American Compact LED Floodlight

OPTIONS MATRIX

ACP1LED		LED Packages					Voltage				Options											Controls				
		P10	P20	P3	P40	P50	MVOLT	347	480	XVOLT	P7	P3	NR	PCLL	PCSS	HRSBOR	LRSBOR	10K	20K	SH	AO	DL	TL	NL	XL	
LED Packages	P10						Y	Y	Y	Y	Y	Y	Y	Y	Y	Y	Y	Y	Y	Y	Y	Y	Y	Y	Y	Y
	P20						Y	Y	Y	Y	Y	Y	Y	Y	Y	Y	Y	Y	Y	Y	Y	Y	Y	Y	Y	Y
	P30						Y	Y	Y	Y	Y	Y	Y	Y	Y	Y	Y	Y	Y	Y	Y	Y	Y	Y	Y	Y
	P40						Y	Y	Y	Y	Y	Y	Y	Y	Y	Y	Y	Y	Y	Y	Y	Y	Y	Y	Y	Y
	P50						Y	N	N	N	Y	Y	Y	Y	Y	Y	Y	Y	Y	Y	Y	Y	Y	Y	Y	Y
Voltage	MVOLT	Y	Y	Y	Y	Y					Y	Y	Y	Y	Y	Y	Y	Y	Y	Y	Y	Y	Y	Y	Y	Y
	347	Y	Y	Y	Y	N					Y	Y	Y	Y	N	Y	Y	Y	Y	Y	Y	Y	Y	Y	Y	Y
	480	Y	Y	Y	Y	N					Y	Y	Y	Y	N	Y	Y	Y	Y	Y	Y	Y	Y	Y	Y	Y
	XVOLT	Y	Y	Y	Y	N					Y	Y	Y	N	N	Y	Y	Y	Y	Y	Y	Y	Y	Y	Y	Y
Options	P7	Y	Y	Y	Y	Y	Y	Y	Y	Y	N	N	N	Y	Y	N	N	Y	Y	Y	Y	Y	Y	Y	Y	Y
	P3	Y	Y	Y	Y	Y	Y	Y	Y	Y	N	N	N	Y	Y	N	N	Y	Y	Y	Y	Y	Y	Y	Y	Y
	NR	Y	Y	Y	Y	Y	Y	Y	Y	Y	Y	Y	N	N	N	Y	Y	Y	Y	N	Y	Y	Y	Y	Y	Y
	PCLL	Y	Y	Y	Y	Y	Y	Y	Y	N	Y	Y	N	N	N	N	N	Y	Y	N	Y	Y	Y	Y	Y	Y
	PCSS	Y	Y	Y	Y	Y	Y	N	N	N	Y	Y	N	N	N	N	N	Y	Y	N	Y	Y	Y	Y	Y	Y
	HRSBOR	Y	Y	Y	Y	Y	Y	Y	Y	Y	N	N	Y	N	N	N	N	Y	Y	N	N	N	Y	Y	Y	Y
	LRSBOR	Y	Y	Y	Y	Y	Y	Y	Y	Y	N	N	Y	N	N	N					N	N	N	Y	Y	Y
	10K	Y	Y	Y	Y	Y	Y	Y	Y	Y	Y	Y	Y	Y	Y	Y					Y	Y	Y	Y	Y	Y
	20K	Y	Y	Y	Y	Y	Y	Y	Y	Y	Y	Y	Y	Y	Y	Y					Y	N	Y	Y	Y	Y
	SH	Y	Y	Y	Y	Y	Y	Y	Y	Y	Y	Y	N	N	N	N	N	Y	Y	N	Y	Y	Y	Y	Y	Y
	AO	Y	Y	Y	Y	Y	Y	Y	Y	Y	Y	Y	Y	Y	Y	N	N	Y	N	Y	N	N	Y	Y	Y	Y
	DL	Y	Y	Y	Y	Y	Y	Y	Y	Y	Y	Y	Y	Y	Y	N	N	Y	Y	Y	N	N	Y	Y	Y	Y
Controls	TL	Y	Y	Y	Y	Y	Y	Y	Y	Y	Y	Y	Y	Y	Y	Y	Y	Y	Y	Y	Y	Y	Y	Y	Y	Y
	NL	Y	Y	Y	Y	Y	Y	Y	Y	Y	Y	Y	Y	Y	Y	Y	Y	Y	Y	Y	Y	Y	Y	Y	Y	Y
	XL	Y	Y	Y	Y	Y	Y	Y	Y	Y	Y	Y	Y	Y	Y	Y	Y	Y	Y	Y	Y	Y	Y	Y	Y	Y



AEL Headquarters, 3825 Columbus Road, Granville, OH 43023
 www.americanelectriclighting.com

© 2013-2020 Acuity Brands Lighting, Inc. All Rights Reserved. FL-ACP1LED 11/18/20

Warranty Five-year limited warranty. Complete warranty terms located at:
www.acuitybrands.com/support/warranty/terms-and-conditions
 Actual performance may differ as a result of end-user environment and application.
 All values are design or typical values, measured under laboratory conditions at 25 °C.
 Specifications subject to change without notice.

Please contact your sales representative for the latest product information.

ACP1LED Series

American Compact LED Floodlight

PERFORMANCE PACKAGE

ACP1LED	Distribution	Input Watts	3000K		4000K		5000K		LDD @ 25°C		
			Lumens	LPW	Lumens	LPW	Lumens	LPW	50k hours	75k hours	100k hours
P10	55	265	38,652	146	39,367	149	40,082	151	0.92	0.89	0.85
	65		39,111	148	39,834	151	40,557	153			
	66		37,954	143	38,656	146	39,357	149			
P20	55	305	43,766	144	44,576	146	45,385	149	0.92	0.89	0.85
	65		44,285	145	45,104	148	45,923	151			
	66		42,975	141	43,770	144	44,564	146			
P30	55	349	49,139	141	50,047	143	50,956	146	0.92	0.89	0.85
	65		49,722	142	50,641	145	51,560	148			
	66		48,250	138	49,143	141	50,035	143			
P40	55	388	53,474	138	54,463	140	55,451	143	0.91	0.87	0.84
	65		54,108	140	55,109	142	56,109	145			
	66		52,507	135	53,487	138	54,449	140			
P50	55	418	56,480	135	57,524	138	58,568	140	0.90	0.85	0.81
	65		57,150	137	58,206	139	59,263	142			
	66		55,489	133	56,484	135	57,510	138			

Performance Package	Watts	Current (A)					
		120V	208V	240V	277V	347V	480V
P10	265	2.20	1.27	1.10	0.97	0.77	0.56
P20	305	2.55	1.46	1.27	1.11	0.89	0.64
P30	349	2.92	1.67	1.45	1.27	1.02	0.74
P40	388	3.24	1.85	1.60	1.39	1.13	0.81
P50	418	3.48	2.01	1.74	1.51	1.2	0.87

Ambient Temperature Factor				
0°C	15°C	25°C	35°C	40°C
1.03	1.01	1.00	0.99	0.98



AEL Headquarters, 3825 Columbus Road, Granville, OH 43023
www.americanelectriclighting.com

© 2013-2020 Acuity Brands Lighting, Inc. All Rights Reserved. FL-ACP1LED 11/18/20

Warranty Five-year limited warranty. Complete warranty terms located at:
www.acuitybrands.com/support/warranty/terms-and-conditions

Actual performance may differ as a result of end-user environment and application. All values are design or typical values, measured under laboratory conditions at 25 °C. Specifications subject to change without notice.

Please contact your sales representative for the latest product information.