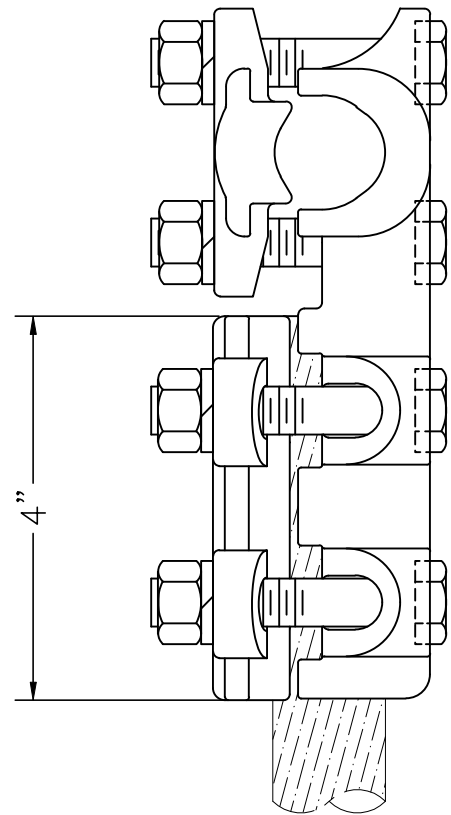
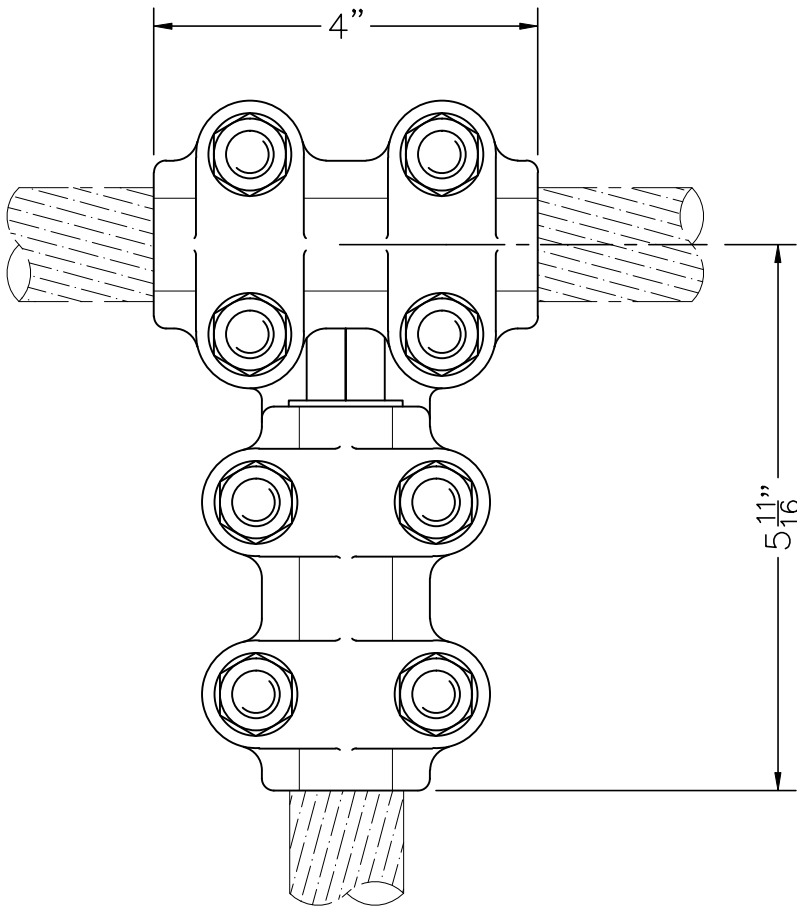


Catalog No.

ACRCT-3434

CONDUCTOR: AAC: 550 - 1000 MCM
ACSR: 477 - 795 MCM



- MATERIAL -

ITEM	PART NO.	QTY	DESCRIPTION	MATERIAL	REF. DWG
1	ACRCT-3434	1	TEE CONNECTOR BODY - CAST ALUM	356-T6	BP-1296
2	AC-34B	2	CAP - CAST ALUM	356-T6	BP-1645
3		8	1/2"φ x 2-3/4" ALUM H.H. BOLT	2024-T4	
4		8	1/2"φ ALUM HEX NUT	6061-T6	
5		8	1/2"φ ALUM SPRINGLOCK WASHER	7075-T6	

Ass'y Wt. 3.15 #

Job no. _____
Item(s) no. _____
Qty. req'd _____

No.	By	Date	Revision

SEFCOR INC.
GRIFFIN, GEORGIA

GKS 10/30/71

ACRCT-3434