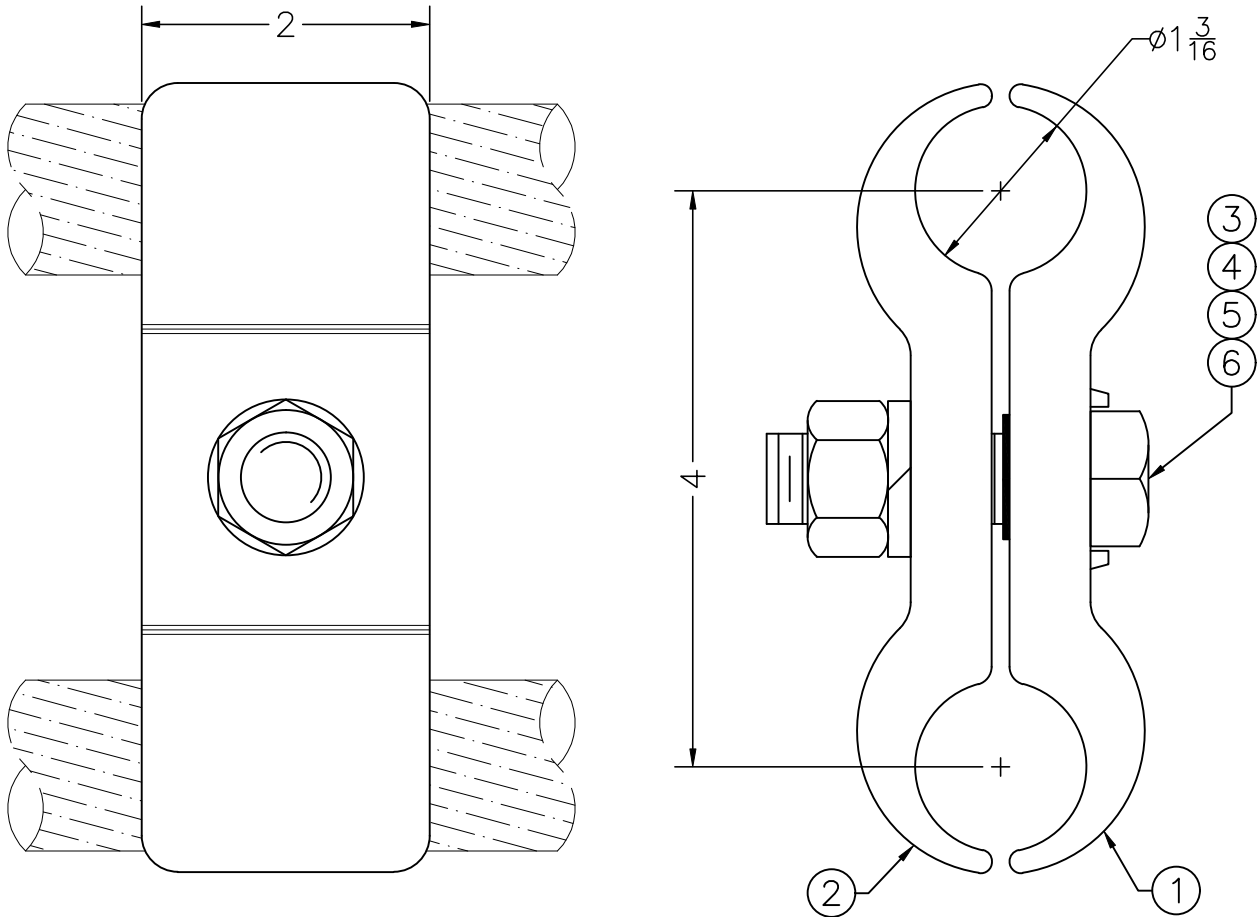


Catalog No.

ASPC-34-4

CONDUCTOR: AAC: 954 - 1000 MCM
ACSR: 795 MCM



- MATERIAL -

ITEM	PART NO.	QTY	DESCRIPTION	MATERIAL	REF. DWG
1	ASPC-34-4A	1	CABLE CLAMP - CAST	AL 356-T6	BP-1282
2	ASPC-34-4B	1	CABLE CLAMP - CAST	AL 356-T6	BP-1282
3		1	ø5/8 x 2-1/2 HH BOLT	ST STL	
4		1	ø5/8 HEX NUT	ST STL	
5		1	ø5/8 SPRINGLOCK WASHER	ST STL	
6	AH-1064	1	BOLT RETAINER	NEOPRENE	

Job no. _____
Item(s) no. _____
Qty. req'd _____

2	VES	11/18/08	HARDWARE WAS ALUMINUM
1	DEH	5/6/03	ADDED BOLT RETAINER
No.	By	Date	Revision

SEFCOR INC.
GRIFFIN, GEORGIA

GKS	9/2/76	UNITS: INCHES
ASPC-34-4		2