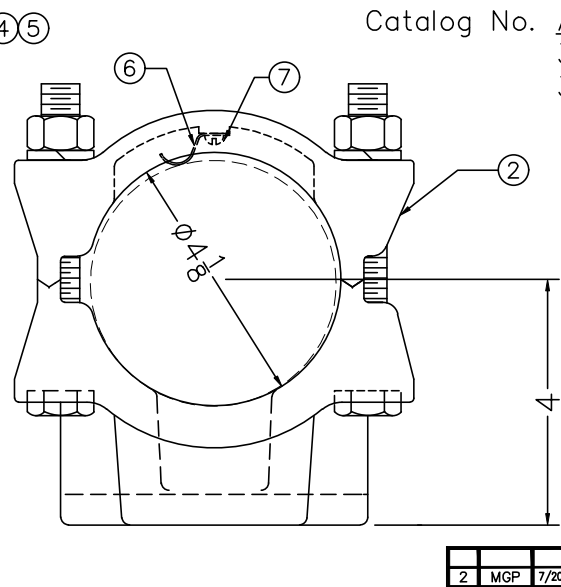
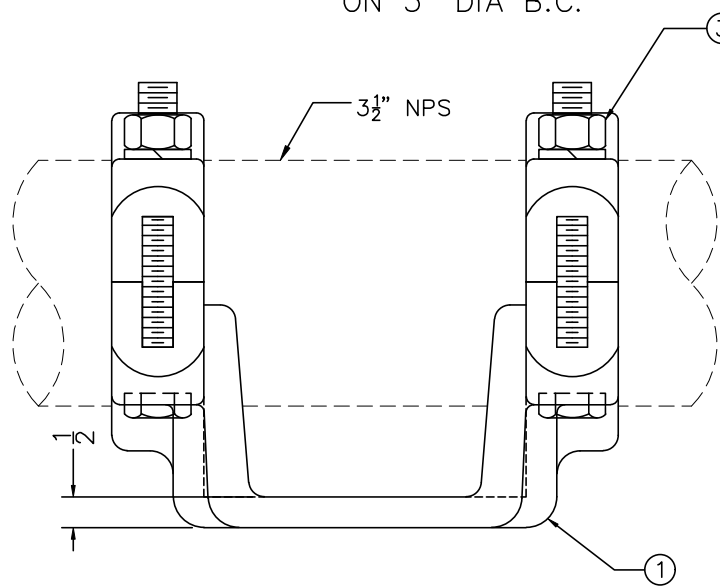


$\frac{9}{16}$ " x $\frac{13}{16}$ " SLOTS
ON 3" DIA B.C.

SLIP FIT SHOWN
ROTATE CAP
FOR RIGID FIT

- MATERIAL -					
ITEM	PART NO.	QTY	DESCRIPTION	MATERIAL	REF. DWG
1	ASTI-63-3	1	BUS SUPPORT BODY - CAST ALUM	356-T6	CP-1298
2	ASTI-63C	2	CAP - CAST ALUM	356-T6	BP-0560
3		4	5/8"φ x 5" ALUM H.H. BOLT	2024-T4	
4		4	5/8"φ ALUM HEX NUT	6061-T6	
5		4	5/8"φ ALUM SPRINGLOCK WASHER	7075-T6	
6	AH-1035	2	ANTI-STATIC SPRING	ST STL	
7		2	#10-32 x 1/4" R.H. SCREW	ST STL	
8		4	1/2"φ x 1-1/4" H.H. BOLT	GALV STL	
9		4	1/2"φ SPRINGLOCK WASHER	GALV STL	



Catalog No. ASTI-63-3
3-1/2" NPS AL.
3" DIA B.C.

Job no. _____
Item(s) no. _____
Qty. req'd _____

UNITS:
INCHES

SEFCOR INC. GRIFFIN, GEORGIA	
<u>BUS SUPPORT</u>	
GKS 10/3/75	2

2	MGP	7/20/17	WAS 5" BC
1	EKH	10/20/15	FRONT VIEW ADDED FOR CLARITY
No.	By	Date	Revision