



Consistent with LEED® goals & Green Globes™ criteria for light pollution reduction

# Autobahn Series ATB0 Roadway Lighting

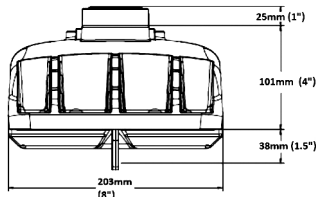
## PRODUCT OVERVIEW



### Applications:

- Roadways
- Off ramps
- Residential streets
- Parking lots

### DIMENSIONS



Effective Projected Area (EPA): The EPA for the ATB0 is 0.76 sq. ft.  
Approx. Wt. = 14 lbs.

### STANDARDS

DesignLights Consortium® (DLC) qualified product. Not all versions of this product may be DLC qualified. Please check the DLC Qualified Products List at [www.designlights.org/QPL](http://www.designlights.org/QPL) to confirm which versions are qualified.

Color temperatures of  $\leq 3000\text{K}$  must be specified for International Dark-Sky Association certification.

Rated for  $-40^{\circ}\text{C}$  to  $40^{\circ}\text{C}$  ambient

CSA Certified to U.S. and Canadian standards

Complies with ANSI: C136.2, C136.10, C136.14, C136.31, C136.15, C136.37

### Features:

#### OPTICAL

**Same Light:** Performance is comparable to 70-250W HPS roadway luminaires.

**White Light:** Correlated color temperature - 4000K, 70 CRI minimum, 3000K, 70 CRI minimum or optional 5000K, 70 CRI minimum.

Unique IP66 rated LED light engines provided 0% uplight and restrict backlight to within sidewalk depth, providing optimal application coverage and optimal pole spacing. Available in Type II, III, IV, and V roadway distributions.

#### ELECTRICAL

**Expected Life:** LED light engines are rated  $>100,000$  hours at  $25^{\circ}\text{C}$ , L70. Electronic driver has an expected life of 100,000 hours at a  $25^{\circ}\text{C}$  ambient.

**Lower Energy:** Saves an expected of 40-60% over comparable HID luminaires.

**Robust Surge Protection:** Three different surge protection options provide a minimum of ANSI C136.2 10kV/5kA protection. 20kV/10kA protection is also available.

#### MECHANICAL

Includes standard AEL lineman-friendly features such as tool-less entry, 3 station terminal block and quick disconnects. Bubble level located inside the electrical compartment for easily leveling at installation.

Rugged die-cast aluminum housing and door are polyester powder-coated for durability and corrosion resistance. Rigorous five-stage pre-treating and painting process yields a finish that achieves a scribe creepage rating of 7 (per ASTM D1654) after over 5000 hours exposure to salt fog chamber (operated per ASTM B117).

Mast arm mount is adjustable for arms from 1-1/4" to 2" (1-5/8" to 2-3/8" O.D.) diameter. Provides a 3G vibration rating per ANSI C136.31

Wildlife shield is cast into the housing (not a separate piece).

#### CONTROLS

NEMA 3 pin photocontrol receptacle is standard, with the Acuity designed ANSI standard 7 pin receptacle optionally available.

Premium solid state locking style photocontrol - PCSS (10 year rated life) Extreme long life solid state locking style photocontrol - PCLL (20 year rated life).

Multi-level dimming available to provide scheduled dimming as specified by the customer.

Optional onboard Adjustable Output module allows the light output and input wattage to be modified to meet site specific requirements, and also can allow a single fixture to be flexibly applied in many different applications.

Note: Specifications subject to change without notice. Actual performance may differ as a result of end-user environment and application.

# Autobahn Series ATB0

## Roadway Lighting

### ORDERING INFORMATION

Example: ATB0 30LEDE10 MVOLT R2

Series	Performance Packages	Voltage	Optics
<b>ATB0</b> Autobahn LED Roadway	<b>10BLEDE70</b> 10B Chips, 700mA Driver <b>10BLEDE10</b> 10B Chips, 1050mA Driver <b>10BLEDE15</b> 10B Chips, 1500mA Driver <b>20BLEDE53</b> 20B Chips, 525mA Driver <b>20BLEDE70</b> 20B Chips, 700mA Driver <b>20BLEDE10</b> 20B Chips, 1050mA Driver <b>20BLEDE13</b> 20B Chips, 1300mA Driver <b>20BLEDE15</b> 20B Chips, 1500mA Driver <b>30BLEDE70</b> 30B Chips, 700mA Driver <b>30BLEDE85</b> 30B Chips, 850mA Driver <b>30BLEDE10</b> 30B Chips, 1050mA Driver <b>30BLEDE13</b> 30B Chips, 1300mA Driver <b>30BLEDE15</b> 30B Chips, 1500mA Driver	<b>MVOLT</b> Multi-volt, 120-277V <b>347</b> 347V <b>480</b> 480V	<b>R2</b> Roadway Type II <b>R3</b> Roadway Type III <b>R4</b> Roadway Type IV <b>R5</b> Roadway Type V

Options			
<u>Color Temperature (CCT)</u> <b>(Blank)</b> 4000K CCT, 70 CRI Min. <b>3K</b> 3000K CCT, 70 CRI Min. <b>5K</b> 5000K CCT, 70 CRI Min.	<b>UMS-XX</b> 8" Horizontal Arm for Square Pole, Painted to match Fixture <b>UMR-GALV</b> 8" Horizontal Arm for Round Pole, Galvanized <b>UMS-GALV</b> 8" Horizontal Arm for Square Pole, Galvanized	<u>Accessories (field installed):</u> <b>ATB0 LTS20</b> Light Trespass Shield for ATB0 LEM 20 <b>ATB0 LTS30</b> Light Trespass Shield for ATB0 LEM 30	
<u>Paint</u> <b>(Blank)</b> Gray (Standard) <b>BK</b> Black <b>BZ</b> Bronze <b>DDB</b> Dark Bronze <b>GI</b> Graphite <b>WH</b> White	<u>Controls</u> <b>(Blank)</b> 3 Pin NEMA Photocontrol Receptacle (Standard) <b>P7<sup>2</sup></b> 7 Pin Photocontrol Receptacle (Dimmable Driver Included) <b>NR</b> No Photocontrol Receptacle <b>AO<sup>3</sup></b> Field Adjustable Output <b>DM</b> 0V-10V Dimmable Driver (Controls by others) <b>ML<sup>4,5</sup></b> Multi-Level Dimming <b>PCSS<sup>1</sup></b> Solid State Lighting Photocontrol (120-277V) <b>PCLL</b> Solid State Long Life Photocontrol <b>SH</b> Shorting Cap	<b>Notes</b> 1 Not available in 347 or 480V. 2 Not available with DM, ML or NR. 3 Not available with DM or ML options. Not available with 10BLED packages. 4 Not available with AO, DM or P7 options. 5 Dimming Schedule and light level information required from the customer in order to configure product. Contact Infrastructure Technical Support to proceed.	
<u>Surge Protection</u> <b>(Blank)</b> Standard 10kV/5kA SPD <b>20</b> 20kV/10KA SPD <b>MP<sup>1</sup></b> MOV Pack <b>IL<sup>1</sup></b> SPD with Indicator Light	<u>Packaging</u> <b>(Blank)</b> Single Unit (Standard) <b>JP</b> Job Pack (42/Pallet)		
<u>Terminal Block</u> <b>(Blank)</b> Terminal Block (Standard) <b>T2</b> Wired to L1 & L2 Positions			
<u>Misc.</u> <b>BL</b> External Bubble Level <b>HS</b> House-Side Shield <b>NL</b> Nema Label <b>XL</b> Not CSA Certified <b>UMR-XX</b> 8" Horizontal Arm for Round Pole, Painted to match Fixture			



AEL Headquarters, 3825 Columbus Road, Granville, OH 43023  
 www.americanelectricalighting.com  
 © 2014-2019 Acuity Brands Lighting, Inc. All Rights Reserved. ATB0 02/21/19

**Warranty** Five-year limited warranty. Complete warranty terms located at: [www.acuitybrands.com/resources/terms-and-conditions](http://www.acuitybrands.com/resources/terms-and-conditions)  
 Actual performance may differ as a result of end-user environment and application. All values are design or typical values, measured under laboratory conditions at 25 °C. Specifications subject to change without notice.

*Please contact your sales representative for the latest product information.*

# Autobahn Series ATB0

## Roadway Lighting

### PERFORMANCE PACKAGE

Performance Package	Drive Current (mA)	Input Watts	Optic	3K (3000K CCT, 70 CRI Min.)					4K/5K (4000K/5000K CCT, 70 CRI Min.)					LLD @ 25°C		
				Lumens	LPW	B	U	G	Lumens	LPW	B	U	G	25k Hours	75k Hours	100k Hours
10B	700	25	R2	2,670	107	1	0	1	2,994	120	1	0	1	0.98	0.97	0.96
	1050	37		4,006	108	1	0	2	4,293	116	1	0	2	0.97	0.95	0.92
	1500	54		5,364	99	1	0	2	5,688	105	1	0	2	0.93	0.90	0.88
	700	25	R3	2,702	108	1	0	1	3,009	120	1	0	1	0.98	0.97	0.96
	1050	37		4,069	110	1	0	1	4,313	117	1	0	1	0.97	0.95	0.92
	1500	54		5,409	100	1	0	1	5,742	106	1	0	1	0.93	0.90	0.88
	700	25	R4	2,686	107	1	0	1	2,992	120	1	0	1	0.98	0.97	0.96
	1050	37		3,934	106	1	0	1	4,232	114	1	0	1	0.97	0.95	0.92
	1500	54		5,383	100	1	0	2	5,653	105	1	0	2	0.93	0.90	0.88
	700	25	R5	2,806	112	2	0	1	3,065	123	2	0	1	0.98	0.97	0.96
	1050	37		4,125	111	3	0	1	4,422	120	3	0	1	0.97	0.95	0.92
	1500	54		5,551	103	3	0	1	5,844	108	3	0	1	0.93	0.90	0.88
20B	525	36	R2	4,328	120	1	0	2	4,638	129	1	0	2	0.98	0.97	0.96
	700	48		5,652	118	1	0	2	5,956	124	1	0	2	0.98	0.96	0.95
	1050	71		7,948	112	2	0	2	8,506	120	2	0	2	0.97	0.95	0.92
	1300	87		9,157	105	2	0	3	9,922	114	2	0	3	0.93	0.90	0.88
	1500	99		10,288	104	2	0	3	11,038	111	2	0	3	0.93	0.90	0.88
	525	36		R3	4,436	123	1	0	1	4,704	131	1	0	1	0.98	0.97
	700	48	5,705		119	1	0	1	6,114	127	1	0	2	0.98	0.96	0.95
	1050	71	8,080		114	2	0	2	8,606	121	2	0	2	0.97	0.95	0.92
	1300	87	9,442		109	2	0	2	10,065	116	2	0	2	0.93	0.90	0.88
	1500	99	10,503		106	2	0	2	11,181	113	2	0	2	0.93	0.90	0.88
	525	36	R4		4,459	124	1	0	2	4,676	130	1	0	2	0.98	0.97
	700	48		5,766	120	1	0	2	6,022	125	1	0	2	0.98	0.96	0.95
	1050	71		8,101	114	2	0	2	8,569	121	2	0	2	0.97	0.95	0.92
	1300	87		9,321	107	2	0	2	10,053	116	2	0	2	0.93	0.90	0.88
	1500	99		10,426	105	2	0	2	11,160	113	2	0	3	0.93	0.90	0.88
	525	36		R5	4,540	126	3	0	1	4,869	135	3	0	1	0.98	0.97
	700	48	5,832		122	3	0	1	6,287	131	3	0	1	0.98	0.96	0.95
	1050	71	8,241		116	3	0	2	8,880	125	3	0	2	0.97	0.95	0.92
	1300	87	9,597		110	3	0	2	10,397	120	4	0	2	0.93	0.90	0.88
	1500	99	10,647		108	4	0	2	11,593	117	4	0	2	0.93	0.90	0.88
	700	70	R2		8,406	120	2	0	2	9,174	131	2	0	3	0.98	0.97
	850	83		9,897	119	2	0	3	10,457	126	2	0	3	0.97	0.95	0.92
	1050	105		11,806	112	2	0	3	12,414	118	2	0	3	0.97	0.95	0.92
	1300	126		13,675	109	3	0	3	14,964	119	3	0	3	0.93	0.90	0.88
1500	145	15,090		104	3	0	3	16,251	112	3	0	3	0.93	0.90	0.88	
700	70	R3		8,539	122	2	0	2	8,893	127	2	0	2	0.98	0.97	0.96
850	83		10,056	121	2	0	2	10,825	130	2	0	2	0.97	0.95	0.92	
1050	105		11,936	114	2	0	2	12,748	121	2	0	2	0.97	0.95	0.92	
1300	126		13,893	110	3	0	3	14,850	118	3	0	3	0.93	0.90	0.88	
1500	145		15,381	106	3	0	3	16,193	112	3	0	3	0.93	0.90	0.88	
700	70		R4	8,335	119	2	0	2	8,971	128	2	0	2	0.98	0.97	0.96
850	83	9,877		119	2	0	2	10,589	128	2	0	2	0.97	0.95	0.92	
1050	105	11,943		114	2	0	3	12,782	122	2	0	3	0.97	0.95	0.92	
1300	126	13,681		109	2	0	3	14,889	118	3	0	3	0.93	0.90	0.88	
1500	145	14,952		103	3	0	3	16,463	114	3	0	3	0.93	0.90	0.88	
700	70	R5		8,893	127	3	0	2	9,329	133	3	0	2	0.98	0.97	0.96
850	83		10,469	126	4	0	2	11,209	135	4	0	2	0.97	0.95	0.92	
1050	105		12,382	118	4	0	2	13,296	127	4	0	2	0.97	0.95	0.92	
1300	126		14,453	115	4	0	2	15,254	121	4	0	2	0.93	0.90	0.88	
1500	145		15,853	109	4	0	2	16,871	116	4	0	2	0.93	0.90	0.88	

Note: Individual fixture performance may vary.

ATB0 LLD Multiplier	15°C	20°C	25°C	30°C	35°C	40°C
	1.02	1.01	1	0.98	0.97	0.95

To calculate the LLD for a temperature other than 25°C, multiply the LLD @ 25°C (shown in the performance package table) by the LLD multiplier for the selected temperature.



AEL Headquarters, 3825 Columbus Road, Granville, OH 43023  
www.americanelectricalighting.com  
© 2014-2019 Acuity Brands Lighting, Inc. All Rights Reserved. ATB0 02/21/19

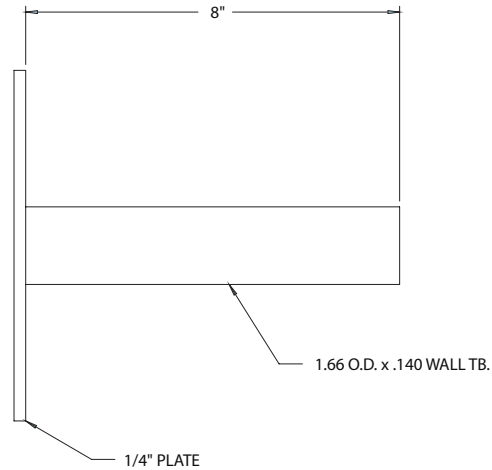
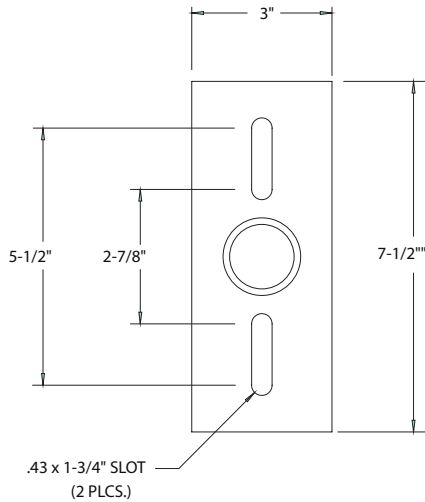
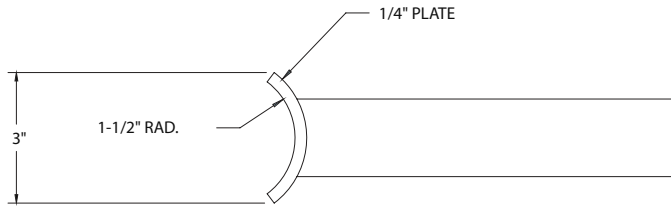
Warranty Five-year limited warranty. Complete warranty terms located at: [www.acuitybrands.com/resources/terms-and-conditions](http://www.acuitybrands.com/resources/terms-and-conditions)  
Actual performance may differ as a result of end-user environment and application. All values are design or typical values, measured under laboratory conditions at 25°C. Specifications subject to change without notice.

Please contact your sales representative for the latest product information.

# Autobahn Series ATB0 Roadway Lighting

## UMR POLE ADAPTOR

RECOMMENDED FOR USE WITH POLES OF 4" DIAMETER OR SMALLER



## UMS POLE ADAPTOR



AEL Headquarters, 3825 Columbus Road, Granville, OH 43023  
www.americanelectriclighting.com

© 2014-2019 Acuity Brands Lighting, Inc. All Rights Reserved. ATB0 02/21/19

**Warranty** Five-year limited warranty. Complete warranty terms located at:  
[www.acuitybrands.com/resources/terms-and-conditions](http://www.acuitybrands.com/resources/terms-and-conditions)

Actual performance may differ as a result of end-user environment and application.  
All values are design or typical values, measured under laboratory conditions at 25 °C.  
Specifications subject to change without notice.

**Please contact your sales representative for the latest product information.**