

# PCORE® ELECTRIC - PRC® BUSHINGS (15kV - 69kV)

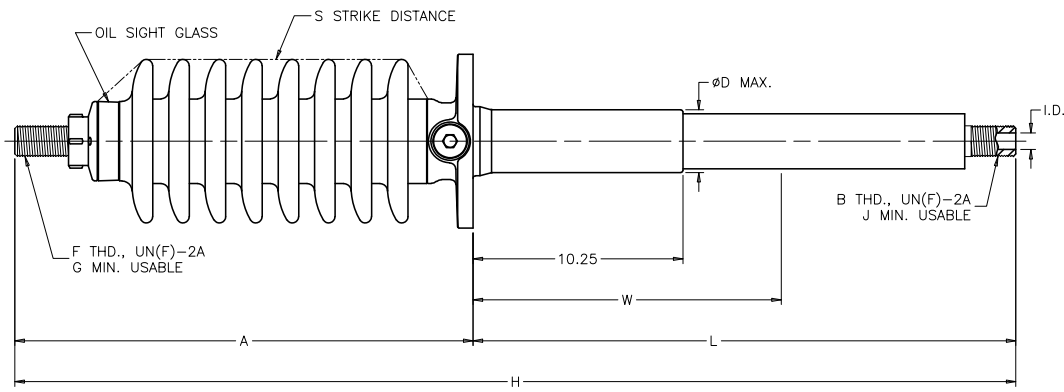
PCORE® PRC® bushings are available for voltage classes from 15kV through 69kV and fully interchangeable between transformer and oil circuit breaker applications. PRC bushings are available for use in draw-lead applications at 400A or 600A. The higher current ratings apply when the bushing is bottom-connected in a power transformer or oil circuit breaker. PCORE PRC bushings are available in oil-filled and oil-free designs.

## Standard Features:

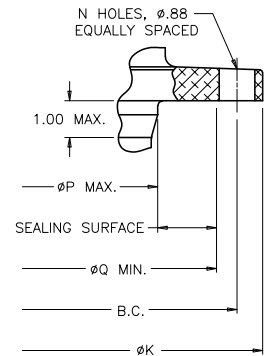
- Resin-impregnated paper wound core with external porcelain insulator.
- Standard with high creep upper porcelain
- Transformer-Breaker Interchangeable (TBI) bushing combined with high performance seismic capabilities.
- 0.6% - 0.8% C1 Power Factor (0.85% IEEE)
- Available per IEEE C57.19.00/01 bushing standards.

Voltage Class (kV)	Oil-Filled Bushing Catalog Number	Oil-Free Bushing Catalog Number	Current Rating (Amperes)	BIL (kV)	Min. Oil Level / CT Pocket Length (W)	Min. Creepage	Min. Strike Distance (S)	Overall Length (H)	Length Above Flange (A)	Length Below Flange (L)	"D" Max
15	B-89111-70	PRC110F1200B	1200	110	16.50	17.50	10.00	38.00	15.00	23.00	2.62
	B-89112-70	PRC110F1200C	1200	110	10.00	17.50	10.00	31.50	15.00	16.50	2.62
	B-89113-70	PRC110F1200A	1200	110	21.00	17.50	10.00	42.50	15.00	27.50	2.62
	B-89121-70	PRC110F2000B	2000	110	16.50	21.00	10.00	38.75	15.25	23.50	3.12
	B-89122-70	PRC110F2000C	2000	110	10.00	21.00	10.00	32.25	15.25	17.00	3.12
	B-89123-70	PRC110F2000A	2000	110	21.00	21.00	10.00	43.25	15.25	28.00	3.12
	B-89131-70	PRC110F3000B	3000	110	16.50	20.50	10.25	40.75	16.25	24.50	5.00
	B-89132-70	PRC110F3000C	3000	110	10.00	20.50	10.25	34.25	16.25	18.00	5.00
	B-89133-70	PRC110F3000A	3000	110	21.00	20.50	10.25	45.25	16.25	29.00	5.00
	B-89181-70	PRC110F0600B	600	110	16.50	21.00	10.00	37.00	17.00	20.00	3.12
B-89182-70	PRC110F0600C	600	110	10.00	21.00	10.00	30.50	17.00	13.50	3.12	
B-89183-70	PRC110F0600A	600	110	21.00	21.00	10.00	41.50	17.00	24.50	3.12	
25	B-89201-70	PRC150F0400B	400	150	16.50	31.00	13.00	43.62	20.62	23.00	3.12
	B-89211-70	PRC150F1200B	1200	150	16.50	31.00	13.00	42.38	18.88	23.50	3.12
	B-89212-70	PRC150F1200C	1200	150	10.00	31.00	13.00	35.88	18.88	17.00	3.12
	B-89221-70	PRC150F2000B	2000	150	16.50	27.50	14.00	42.50	18.50	24.00	4.00
	B-89223-70	PRC150F2000A	2000	150	21.00	27.50	14.00	48.00	18.50	29.50	4.00
B-89293-70	PRC150F0412A	400/1200	150	21.00	31.00	13.00	50.12	20.62	29.50	3.12	
34.5	B-89301-70	PRC200F0400B	400	200	16.50	41.00	17.00	49.12	24.12	25.00	3.12
	B-89311-70	PRC200F1200B	1200	200	16.50	41.00	17.00	51.88	22.38	29.50	3.12
	B-89312-70	PRC200F1200C	1200	200	10.00	41.00	17.00	41.38	22.38	19.00	3.12
	B-89321-70	PRC200F2000B	2000	200	16.50	37.50	17.00	48.00	22.00	26.00	4.00
	B-89323-70	PRC200F2000A	2000	200	21.00	37.50	17.50	53.50	22.00	31.50	4.00
	B-89393-70	PRC200F0412A	400/1200	200	21.00	41.00	17.00	55.62	24.12	31.50	3.12
46	B-89401-70	PRC250F0400B	400	250	16.50	49.00	21.00	55.62	28.62	27.00	4.00
	B-89411-70	PRC250F1200B	1200	250	16.50	49.00	21.00	58.38	26.88	31.50	4.00
	B-89421-70	PRC250F2000B	2000	250	16.50	49.00	21.50	56.50	26.50	30.00	4.00
	B-89423-70	PRC250F2000A	2000	250	21.00	49.00	21.00	60.00	26.50	33.50	4.00
	B-89493-70	PRC250F0412A	400/1200	250	21.00	49.00	21.00	62.12	28.62	33.50	4.00
69	B-89501-70	PRC350F0400B	400	350	16.50	69.50	30.00	67.38	36.88	30.50	4.00
	B-89511-70	PRC350F1200B	1200	350	16.50	69.50	30.00	68.62	35.12	33.50	4.00
	B-89521-70	PRC350F2000B	2000	350	16.50	69.50	30.00	68.25	34.75	33.50	5.00
	B-89523-70	PRC350F2000A	2000	350	21.00	69.50	30.00	72.25	34.75	37.50	5.00
	B-89593-70	PRC350F0412A	400/1200	350	21.00	69.50	30.00	74.38	36.88	37.50	4.00

Notes: 1) All Dimensions on table are in inches. 2) Additional designs are available - Contact PCORE® for details.



**BUSHING DETAIL**



**MOUNTING FLANGE DETAIL**

Draw-Lead Above Flange Length	Top Terminal		Bottom Terminal		Stud I.D.	Flange Sealing Surface		Flange Details		
	Thd. Size (F)	Min. Thd. (G)	Thd. Size (H)	Min. Thd. (K)		I.D. (P)	O.D. (Q)	No. of Holes	Bolt Circle	O.D. (T)
---	11/8-12	2.12	11/8-12	2.12	---	3.38	5.12	4	6.00	8.50
---	11/8-12	2.12	11/8-12	2.12	---	3.38	5.12	4	6.00	8.50
---	11/8-12	2.12	11/8-12	2.12	---	3.38	5.12	4	6.00	8.50
---	11/2-12	2.12	11/2-12	2.12	---	3.38	6.38	4	7.25	8.50
---	11/2-12	2.12	11/2-12	2.12	---	3.38	6.38	4	7.25	8.50
---	11/2-12	2.12	11/2-12	2.12	---	3.38	6.38	4	7.25	8.50
---	3-12	3.00	3-12	3.00	---	5.25	8.38	6	9.25	10.62
---	3-12	3.00	3-12	3.00	---	5.25	8.38	6	9.25	10.62
---	3-12	3.00	3-12	3.00	---	5.25	8.38	6	9.25	10.62
13.50	11/8-12	2.00	---	---	1.50	3.38	5.12	4	6.00	8.50
13.50	11/8-12	2.00	---	---	1.50	3.38	5.12	4	6.00	8.50
13.50	11/8-12	2.00	---	---	1.50	3.38	5.12	4	6.00	8.50
16.75	11/8-12	2.50	---	---	1.00	3.38	6.38	4	7.25	8.50
---	11/2-12	2.50	11/2-12	2.12	---	3.38	6.38	4	7.25	8.50
---	11/2-12	2.50	11/2-12	2.12	---	3.38	6.38	4	7.25	8.50
---	2-12	2.12	2-12	2.12	---	4.50	6.38	4	7.25	10.62
---	2-12	2.12	2-12	2.12	---	4.50	6.38	4	7.25	10.62
16.75	11/2-12	2.50	11/2-12	2.12	0.88	3.38	6.38	4	7.25	8.50
20.25	11/8-12	2.50	---	---	1.00	3.38	6.38	4	7.25	8.50
---	11/2-12	2.50	11/2-12	2.12	---	3.38	6.38	4	7.25	8.50
---	11/2-12	2.50	11/2-12	2.12	---	3.38	6.38	4	7.25	8.50
---	2-12	2.12	2-12	2.12	---	4.50	6.38	4	7.25	10.62
---	2-12	2.12	2-12	2.12	---	4.50	6.38	4	7.25	10.62
20.25	11/2-12	2.50	11/2-12	2.12	0.88	3.38	6.38	4	7.25	8.50
24.75	11/8-12	2.50	---	---	1.00	4.50	7.38	4	8.25	10.62
---	11/2-12	2.50	11/2-12	2.12	---	4.50	7.38	4	8.25	10.62
---	2-12	2.12	2-12	2.12	---	4.50	7.38	4	8.25	10.62
---	2-12	2.12	2-12	2.12	---	4.50	7.38	4	8.25	10.62
24.75	11/2-12	2.50	11/2-12	2.12	0.88	4.50	7.38	4	8.25	10.62
33.00	11/8-12	2.50	---	---	1.00	4.50	8.38	6	9.25	10.62
---	11/2-12	2.50	11/2-12	2.12	---	4.50	8.38	6	9.25	10.62
---	2-12	2.12	2-12	2.12	---	5.25	8.38	6	9.25	10.62
---	2-12	2.12	2-12	2.12	---	5.25	8.38	6	9.25	10.62
33.00	11/2-12	2.50	11/2-12	2.12	0.88	4.50	8.38	6	9.25	10.62



**PCORE® OIL-FREE PRC® BUSHING**