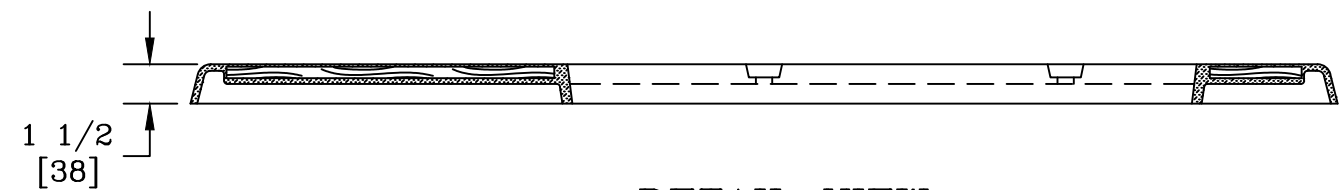


CUSTOMER APPROVAL
 APPROVED BY: _____
 DATE: _____

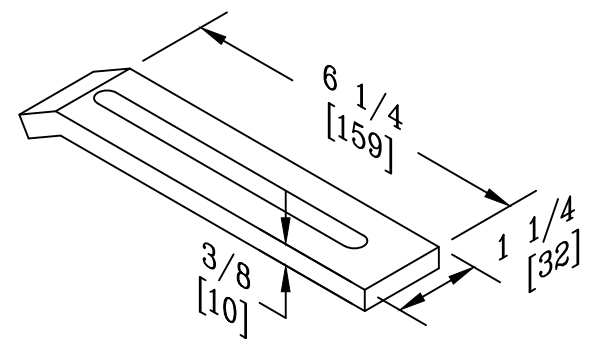
NOTES:

- MATERIAL: FIBERGLASS REINFORCED POLYMER w/COLOR MUNSELL #7GY3.29/1.5 GREEN GEL COAT EXTERIOR
- HARDWARE INCLUDED: (4) 3/8-16 UNC X 1 1/2 [38] SS PENTA HEAD BOLTS, (4) SS ϕ 3/8 [10] FLAT WASHERS & (2) EMHOTB2 HOLD DOWN CLIPS.
- COVER WEIGHT: 84 LBS


4X ϕ 5/8 [16] THRU HOLE
 w/ ϕ 1 3/8 [35] x 1/2 [13]
 DEEP COUNTERBORE



DETAIL VIEW



EMHOTB2 BRACKET
 SEE NOTE 2

DIMENSIONS ARE IN INCHES OR MILLIMETERS IN BRACKETS UNLESS OTHERWISE NOTED.					
DRN	BY	DATE	WEIGHT	 3621 INDUSTRIAL PARK DR LENOIR CITY, TN 37771 800-346-3062 www.quazite.com	LOC
CHK	ENG	APR	APR		OB
			SCALE	DRAWING DESCRIPTION	REV
			SIZE		C
PROJECT NUMBER				SHEET 1 OF 1	DRAWING NUMBER
					BC3743012224600