



BRONZE
BHLS

OVERHEAD PRIMARY TAPS BOLTED STIRRUP CLAMPS BRONZE



For copper conductor.

Eyestem is at 30° angle from the stirrup.

Material: **Body** - Bronze Alloy
Stirrup - Copper-un-plated
Eyestem - Bronze alloy or Stainless Steel

Note: Tin plated loop available by adding suffix "TB" to catalog number. Example, BHLS025019ETB.

Factory inhibited and bagged, add "XB"

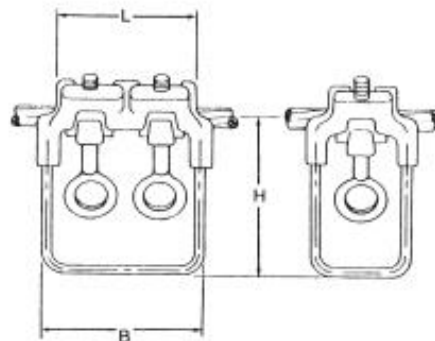
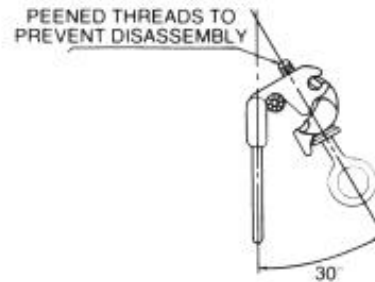


FIGURE 1

FIGURE 2



Product Data & Conductor Size

CATALOG NUMBER	FIGURE NO.	COPPER CONDUCTOR RANGE (AWG OR MCM)	COPPER LOOP SIZE	BOLTS		DIMENSIONS INCHES (MM)			APPROX. WT. 100 LBS. (KG)
				NO.	SIZE	L	B	H	
BHLS022016E	2 & 3	#6 Sol.-2/0 Str.	#4 (.204)	1	3/8 (9.52)	1-13/16 (46.04)	2-3/8 (60.32)	4-3/16 (106.36)	1.06 (.48)
BHLS022019E	2 & 3	#6 Sol.-2/0 Str.	#1 (.289)	1	3/8 (9.52)	1-13/16 (46.04)	2-3/8 (60.32)	4-3/16 (106.36)	1.06 (.48)
BHLS025019E	1 & 3	#1 Sol.-250 MCM	#1 (.289)	2	3/8 (9.52)	3-1/2 (88.9)	4 (101.6)	4-1/16 (103.19)	1.71 (.77)
BHLS050022E	1 & 3	4/0-500 MCM	2/0 (.365)	2	7/16 (11.2)	3-11/16 (93.66)	4 (101.6)	4-3/16 (106.36)	2.70 (1.22)