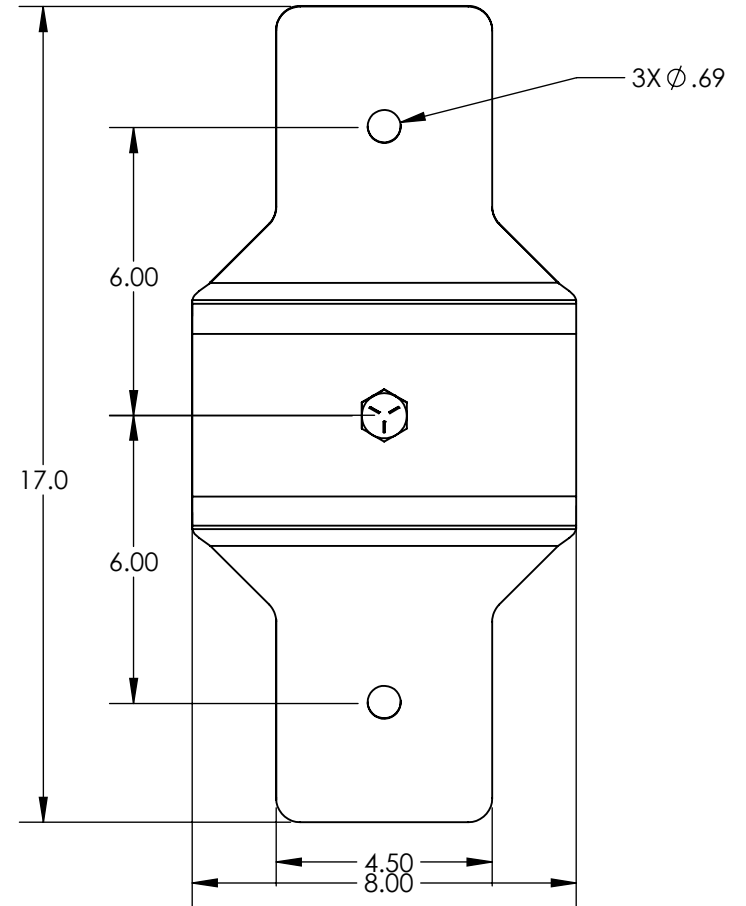
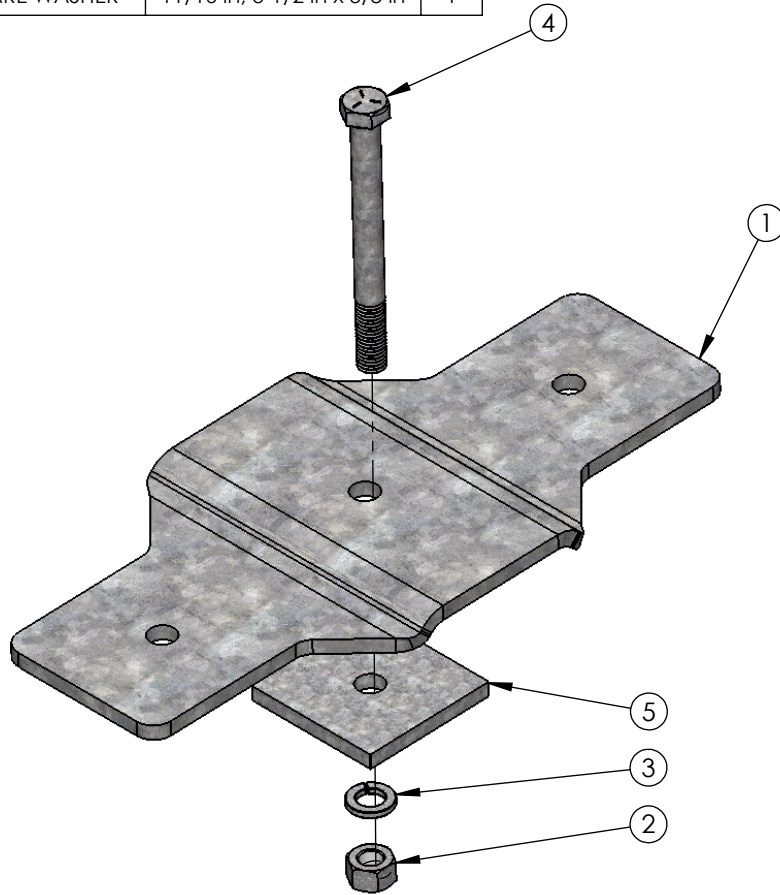


ITEM NO.	PART NUMBER	DESCRIPTION	DESCRIPTION 2	QTY
1	BK-0324	BRACKET, DOUBE PIN	11/16" STANDARD DUTY	1
2	HN0625-0004	HEX NUT	5/8 in - 11	1
3	LW0625-0004	LOCK WASHER	5/8 in	1
4	HBO625-0002	HEX BOLT	5/8 in - 11 x 6-1/2 in	1
5	SW0688-0037	SQUARE WASHER	11/16 in, 3-1/2 in x 3/8 in	1

www.pupicrossarms.com

REVISIONS			
REV.	DESCRIPTION	DATE	INITIALS



<p>-----UNLESS OTHERWISE SPECIFIED-----</p> <p>DIMENSIONS ARE IN INCHES</p> <p>INTERPRET DIM AND TOL PER ASME Y14.5-2009</p> <p>ANGULAR: MACH <math>\pm 2^\circ</math></p> <p>BEND <math>\pm 2^\circ</math></p> <p>TWO PLACE DECIMAL <math>\pm 0.02</math></p> <p>THREE PLACE DECIMAL <math>\pm 0.005</math></p>	STATE: RELEASED	2020-10-27	<p>1421 SECOND AVE NW STEWARTVILLE, MN 55976 (800)533-1680 www.geotekinc.com</p>
	DRAWN: TAL	2020-10-22	
	CHECKED: NDH	2020-10-22	
	APPROVED: TAL	2020-10-27	
<p><b>PROPRIETARY AND CONFIDENTIAL</b></p> <p>THE INFORMATION CONTAINED IN THIS DRAWING IS THE SOLE PROPERTY OF GEOTEK. ANY REPRODUCTION IN PART OR AS A WHOLE WITHOUT THE WRITTEN PERMISSION OF GEOTEK IS PROHIBITED.</p>	MATERIAL:		DESCRIPTION: HARDWARE KIT, DOUBLE PIN 11/16" STANDARD DUTY
	FINISH:		SIZE: DWG NO: <b>A</b> BMB-128
	REPLACES: -		SCALE: 1:4
			WEIGHT: 12.63 LBS
			SHEET 1 of 1