



# TINNED ALUMINUM OR BRONZE TRANSFORMER SPADE TERMINALS TYPE AXS & BXS

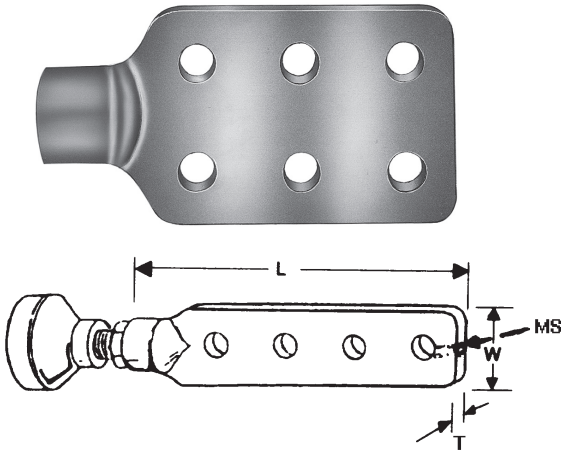
BRONZE
BXS

ALUMINUM
AXS

- Secured by jam nut to bushing stud.
- Recommended when copper terminals are connected (Use "AXS" style for aluminum terminals.)
- Terminal lug mounting holes are 9/16" diameter with 1-3/4" NEMA spacing. Jam nuts are usually supplied by the transformer manufacturer and are not furnished unless specified.

**Material:** - Bronze Alloy (tin-plated)  
- Aluminum Alloy (tin-plated)

- Notes:**
- (1) Terminals for 1-1/4" - 12 bushing studs can be furnished with a 1/4" - 20 tapped hole in the outer end to attach an insulated suspension support rod for mechanical support. Add suffix "-MS" for this option.
  - (2) Add suffix "JN" to specify a factory applied brass jam nut.



DD  
12

## Product Data & Conductor Size

CATALOG NUMBER	X'FORMER STUD SIZE	GENERAL DESCRIPTION & FIELD APPLICATION	DIMENSIONS INCHES (MM)			APPROX. WT. 100 LBS. (KG)
			LENGTH	WIDTH	HEIGHT	
BXS582N	5/8"-11	Two Holes in Line NEMA Spaced For Use With One Hole Lugs	5.12 (130)	1.37 (35)	0.31 (8)	70 (32)
BXS102N	1"-14		5.06 (129)	1.93 (49)	0.34 (9)	142 (64)
BXS584N	5/8"-11	Four Holes in Line NEMA Spaced For Use With One Hole Lugs	8.50 (216)	1.37 (35)	0.31 (8)	120 (54)
BXS104N	1"-14		8.56 (218)	1.93 (49)	0.34 (9)	215 (98)
AXS584NTP	5/8"-11		8.50 (216)	1.37 (35)	0.31 (8)	36 (16)
AXS104NTP	1"-14		8.56 (218)	2.00 (50)	0.34 (9)	65 (29)
BXS582BN	5/8"-11	Two Sets of NEMA Spaced Holes Mounts Up to 4 Two-Holed Lugs	5.37 (136)	3.50 (89)	0.25 (6)	132 (60)
BXS102BN	1"-14		5.87 (149)	3.50 (89)	0.37 (9)	260 (118)
AXS582BNTP	5/8"-11		5.37 (136)	3.50 (89)	0.25 (6)	39 (18)
BXS583BN	5/8"-11	Three Sets of NEMA Spaced Holes Mounts Up to 6 Two-Holed Lugs	6.62 (168)	3.50 (89)	0.37 (9)	256 (116)
BXS103BN	1"-14		7.00 (178)	3.50 (89)	0.37 (9)	315 (143)
AXS103BNTP	1"-14		7.00 (178)	3.50 (89)	0.37 (9)	94 (43)
BXS584BN	5/8"-11	Four Sets of NEMA Spaced Holes Mounts Up to 8 Two-Holed Lugs	8.37 (213)	3.50 (89)	0.37 (9)	330 (150)
BXS104BN	1"-14		8.75 (222)	3.50 (89)	0.37 (9)	362 (164)
BXS123BN	1-1/4"-12	Three Sets of NEMA Spaced Holes Mounts Up to 6 Two-Holed Lugs Or Up to 12 Two-Holed Lugs If Stacked	7.12 (181)	3.50 (89)	0.37 (9)	345 (156)
BXS124BN	1-1/4"-12	Four Sets of NEMA Spaced Holes Mounts Up to 8 Two-Holed Lugs Or Up to 16 Two-Holed Lugs If Stacked	9.12 (232)	3.50 (89)	0.37 (9)	445 (202)
BXS126BN	1-1/4"-12	Six Sets of NEMA Spaced Holes Mounts Up to 12 Two-Holed Lugs Or Up to 24 Two-Holed Lugs If Stacked	14.00 (356)	4.00 (102)	0.50 (13)	970 (440)
BXS128BN	1-1/4"-12	Eight Sets of NEMA Spaced Holes Mounts Up to 16 Two-Holed Lugs Or Up to 32 Two-Holed Lugs If Stacked	17.50 (445)	4.00 (102)	0.50 (13)	1300 (590)

