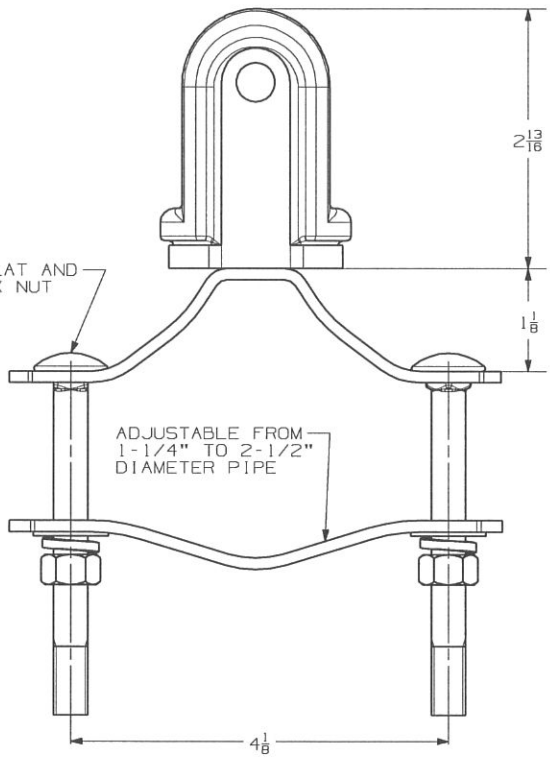
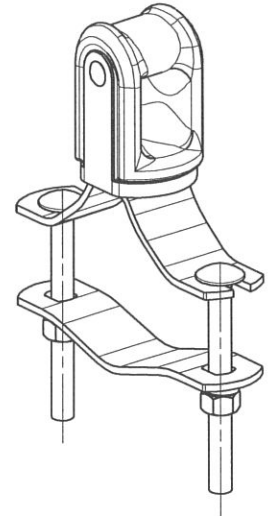


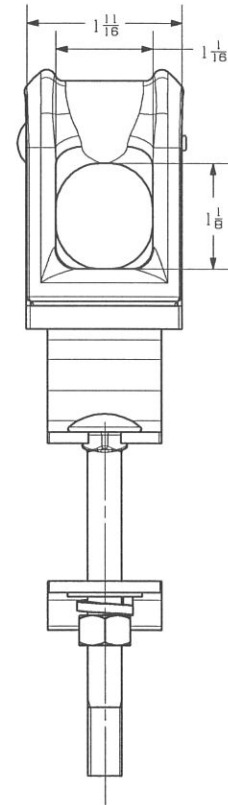
-NOTES-

1. INSULATOR MATERIAL: PORCELAIN
CLAMP MATERIAL: STEEL
2. CLAMP FINISH: GALVANIZE PER
ASTM A153 (LATEST REVISION)



3/8 LAG BOLT W/ 3/8 FLAT AND
SPRING WASHERS AND HEX NUT

ADJUSTABLE FROM
1-1/4" TO 2-1/2"
DIAMETER PIPE



CATALOG NUMBER : C207-0075

LATEST EC NO:		REV.	DATE	CHANGED BY	RESP ENGINEER
-----		-	-----	-----	KIRK
				DO NOT SCALE THIS DWG	THIRD ANGLE PROJECTION
				1:50 DUAL DIMENSIONS IN=INCH, MM=MILLIMETER	
DRN BY:	DATE	TITLE:			SIZE
BERGER	08-13-12	WIREHOLDER (SKY GLAZE)			C
				DWG NO:	SAC207-0075

CONFIDENTIAL: THIS DRAWING AND ITS CONTENTS ARE CONFIDENTIAL AND THE EXCLUSIVE PROPERTY OF HUBBELL / A.B. CHANCE COMPANY. NO PUBLICATION, DISTRIBUTION OR REPRODUCTION SHALL BE MADE WITHOUT WRITTEN CONSENT OF HUBBELL / A.B. CHANCE COMPANY. © 2001 HUBBELL/A.B. CHANCE. UNPUBLISHED - ALL RIGHTS RESERVED UNDER THE COPYRIGHT LAWS