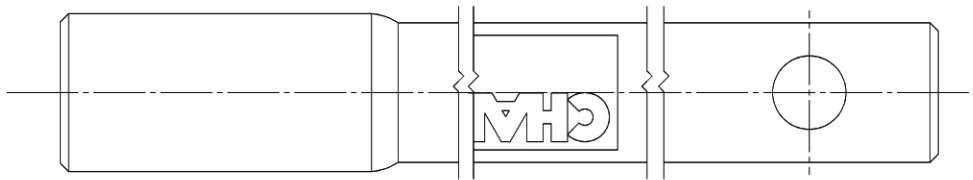
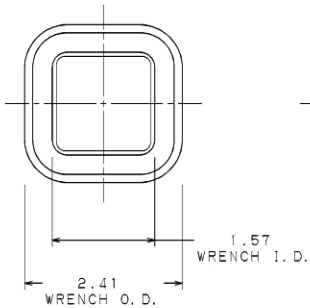


*TORSIONAL SERVICE RATING
10,000 FT. -LB.*



DESCRIPTION	CATALOG NO.	WEIGHT
ANCHOR WRENCH - 3-1/2 FT.	C303-1063	30 LB.
ANCHOR WRENCH - 7 FT.	C303-1064	58 LB.

LATEST EC NO: EC90092003	REV. -	DATE -----	CHANGED BY ---	RESP. ENGINEER SEIDER
DRN BY: SEIDER DATE: 18-18-83 TITLE: WRENCH TUBE ASSEMBLY			THIRD ANGLE PROJECTION ISO DUAL DIMENSIONS 1X=INCH. MM=MILLIMETER	
				DWG. NO. SA303-1063

CONFIDENTIAL: THIS DRAWING AND ITS CONTENTS ARE CONFIDENTIAL AND THE EXCLUSIVE PROPERTY OF MURBELL/CHANCE. NO REPRODUCTION, DISTRIBUTION, OR DISSEMINATION OF THIS DRAWING OR ITS CONTENTS IS PERMITTED WITHOUT THE WRITTEN PERMISSION OF MURBELL/CHANCE. UNPUBLISHED - ALL RIGHTS RESERVED UNDER THE COPYRIGHT LAWS OF THE UNITED STATES OF AMERICA. © 2000 MURBELL/A. B. CHANCE.