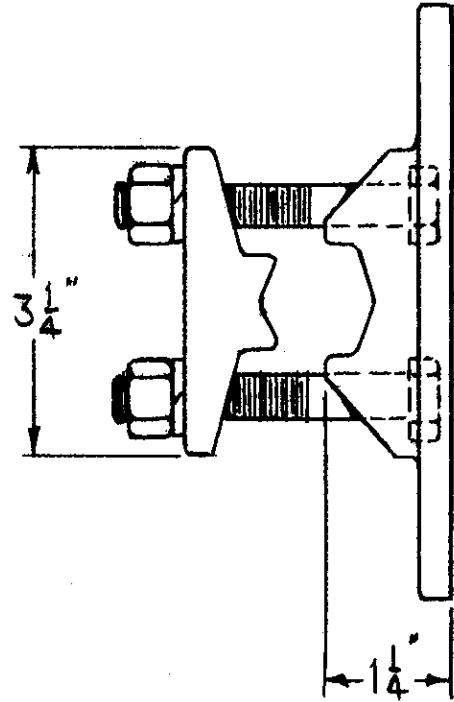
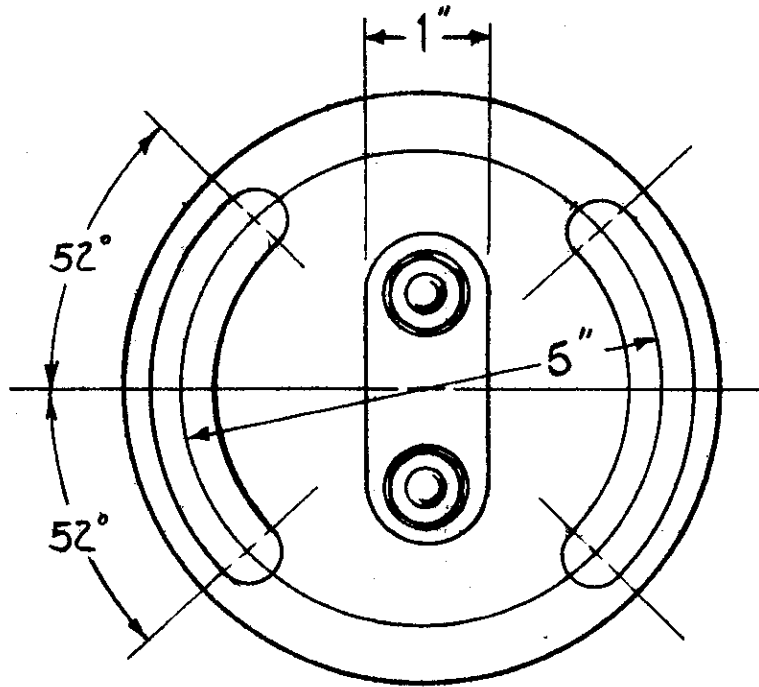


Catalog No.

CJ-5-AL

CONDUCTOR: #2 - 2000 MCM AAC
 1/4" - 1-1/4" SPS
 5" B.C.



- MATERIAL -

ITEM	PART NO.	QTY	DESCRIPTION	MATERIAL	REF. DWG
1	CJ-5-AL	1	BUS SUPPORT BASE - CST ALUM	356-T6	C-26455
2	CJ-3C-AL	1	CLAMPING CAP - CST ALUM	356-T6	C-26453
3		2	3/8 x 3-1/2 H.H. BOLT (FULL THD)	ST STL	
4		2	3/8 HEX NUT	ST STL	
5		2	3/8 SPRING L.W.	ST STL	

CAP MTG
 (4) 5/8 x 1-1/4 H.H. BOLT
 (4) 5/8 SPRING L.W.

PIN MTG
 (4) 5/8 x 1-3/4 H.H. BOLT
 (4) 5/8 HEX NUT
 (4) 5/8 SPRING L.W.

Ass'y Wt. _____

Job no. _____
 Item(s) no. _____
 Qty. req'd _____

No.	By	Date	Revision

SEFCOR INC.
 GRIFFIN, GEORGIA

DEH 4/30/99
 CJ-5-AL