

CATALOG NUMBERING SYSTEM

POSITION

1 2 3 4 5 6 7 8 9 10 11 12 13
CP 730-2

TP

POSITION 6
 INSULATION
 (125KV BIL)

FOR MOUNTING OR
 FUSEHOLDER ONLY

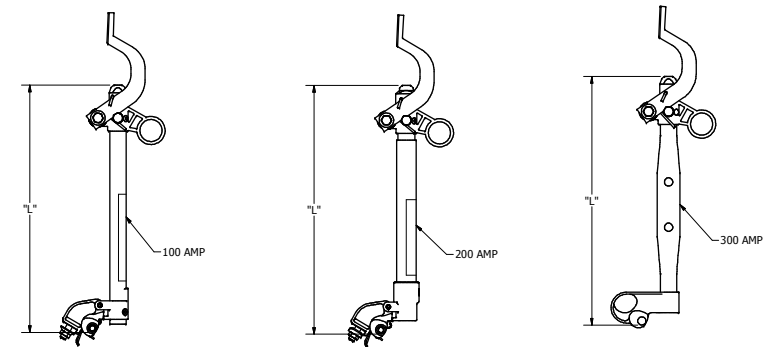
POSITIONS 7 & 8
 FUSEHOLDER

POSITION 11-13
 SPECIAL OPTIONS
 BLANK - NO OPTION
 D - RATING LABEL
 M - MECHANICAL ASSIST FUSEHOLDER
 S - STAINLESS STEEL

POSITION 10
 MOUNTING BRACKET
 BLANK OR Z - NO BRACKET
 B - NEMA "B" BRACKET
 C - NEMA "B" BRACKET W/6" BOLTS
 X - EXTENDED BRACKET
 D - "D" BRACKET
 V - EASY-ON BRACKET

POSITION 9
 TERMINAL OPTIONS
 P - PG CLAMPS (TIN PLATING)
 P2 - PG CLAMPS 2 PIECE
 E - SMALL EYEBOLT TERMINALS
 L - LARGE EYEBOLT TERMINALS
 R - ROTATED BOTTOM PG
 T - FUSEHOLDER ONLY (POSITION 10-11 BLANK)

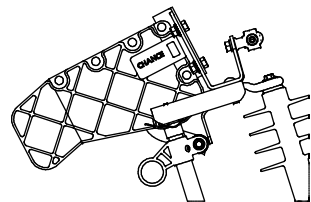
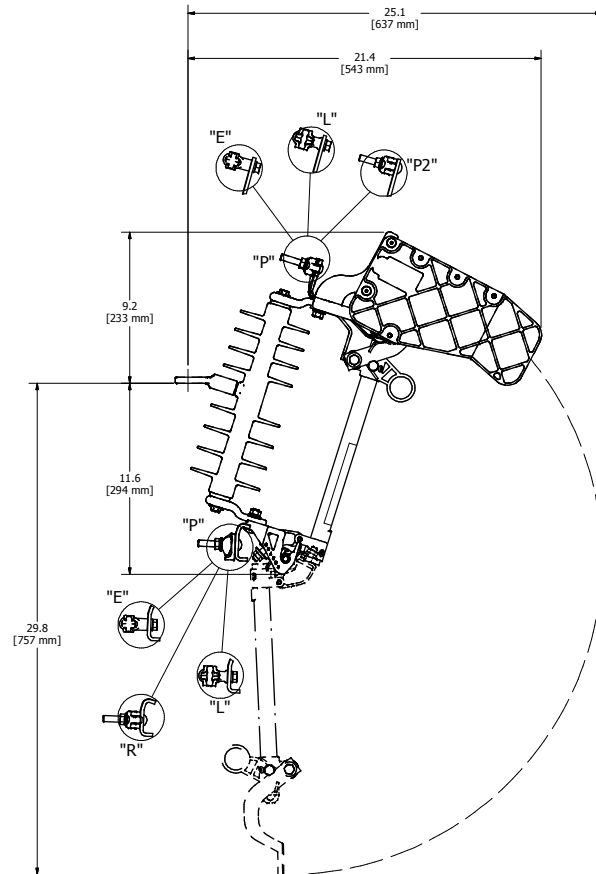
FUSEHOLDER INFORMATION					
POSITIONS 7&8	MAX DESIGN KV	RATED	AIC (ASYM)	"L"	ARC ROD
11	15/27	100	8000	14.97 IN (380MM)	NONE
13	15/27	100	12000	15.06 IN (383 MM)	4.50 (114MM)
42	15/27	200	10000	15.06 IN (383 MM)	4.50 (114MM)
43	15/27	200	12000	15.06 IN (383 MM)	5.50 (140MM)
33	15/27	300	12000	15.06 IN (383 MM)	NONE
MM	---	---	---	NO FUSEHOLDER	-



DIMENSIONS ARE APPROXIMATE
 AND FOR REFERENCE ONLY

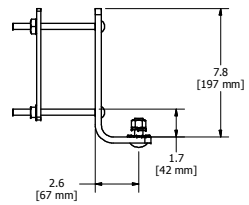
CONFIDENTIAL

CHANCE			
EC 70598 SR DATE: 08-04-17		TITLE CUTOUT, LDBK 15/27 KV 125 BIL POLYMER	
SIZE	DWG NO.	CAT / PART / ASSY NO.	REV
D	SAP730-2	SEE CHART	B
DO NOT SCALE THIS DRAWING	DRN BY	DATE	SHEET
	SOC	2-18-13	01 OF 01

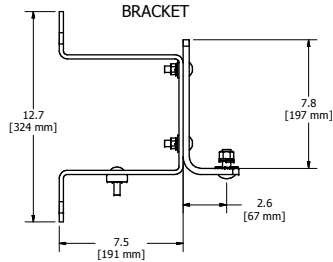


ARC CHUTE DETAIL
 FOR "E", "L" AND "P2" CUTOUTS
 SCALE 1 / 4

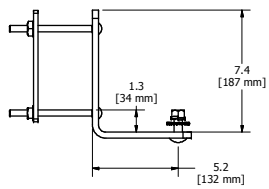
NEMA "B"
 BRACKET



"D"
 BRACKET



EXTENDED "X"
 BRACKET



EASY-ON "V"
 BRACKET

