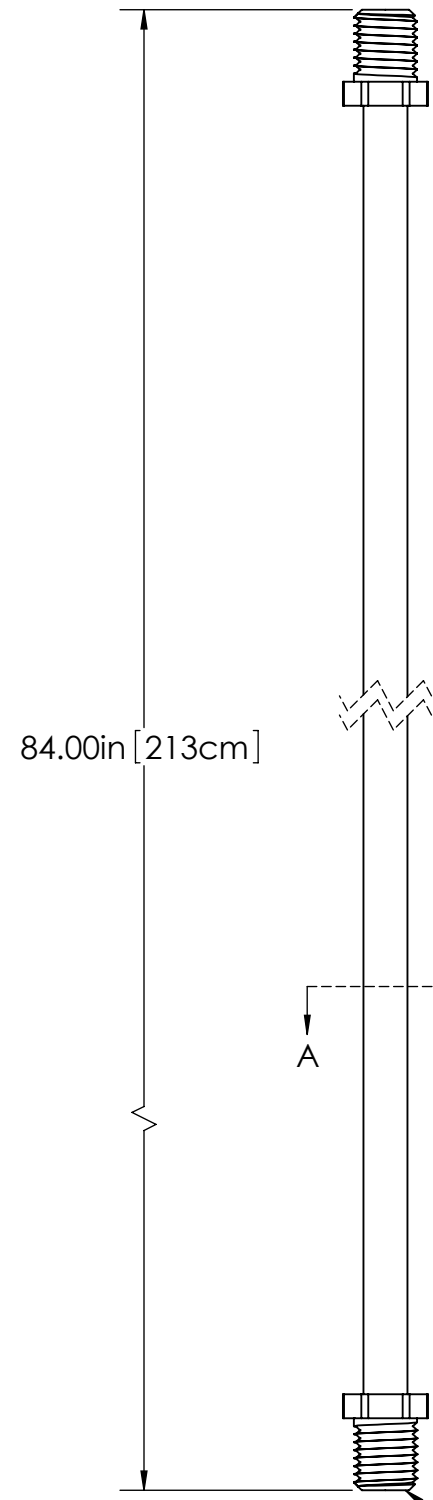
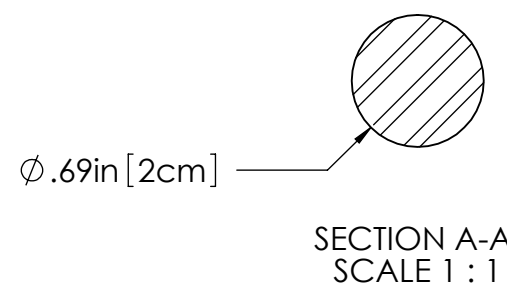


PAPER SIZE	CATALOG NUMBER
B	D75



84.00in [213cm]



Ø .69in [2cm]

SECTION A-A
SCALE 1 : 1

THREAD 1-8UNC-2A

NOTES:

- 1.HOT DIP GALVANIZE PER ASTM A123, AFTER FABRICATION
2. ROD ASSEMBLY RATED AT 23,000 lbf [102,000 N] ULTIMATE.

This drawing contains confidential information that is the property of MacLean Power, L.L.C. ("MacLean"). Use of MacLean's confidential information without MacLean's express written consent is strictly prohibited and may expose you to legal liability. If you believe that you received this material in error, please destroy it or return it to "MacLean Power, L.L.C., 11411 Addison Street, Franklin Park, Illinois 60131, "USA."



DRAWING NUMBER: D75	
SHEET NAME: SHEET1	1 OF 1
PRODUCT DESCRIPTION 3/4" DIAMETER POWER HUB ROD	
DRAWN BY: CRL	DATE: 3/13/12