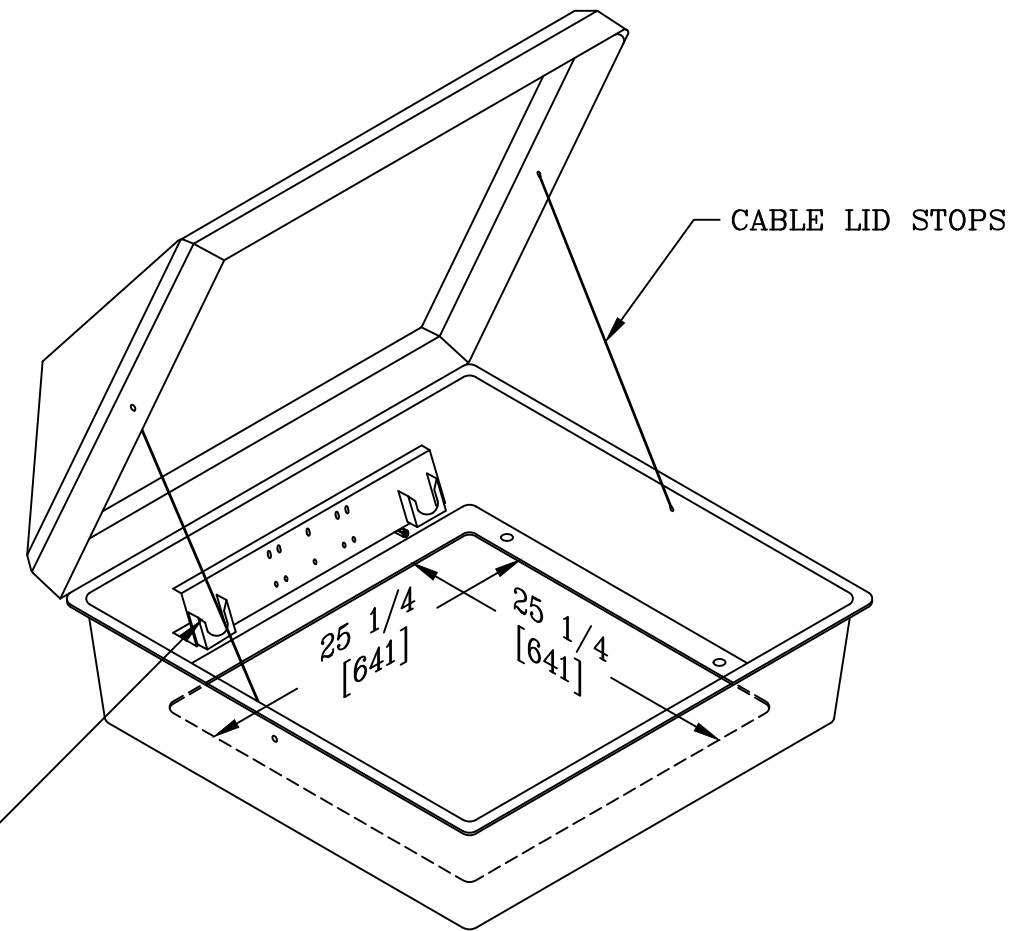



STAINLESS STEEL  
JUNCTION MOUNTING  
BAR W/COPPER  
GROUND LUG AND  
PARKING STANDS



**NOTES:**

1. MOUNTING BAR WILL WITHSTAND A MINIMUM 400 LB. [181kg] LOADING TO INSTALL OR REMOVE ELBOWS.
2. MATERIAL & WORKMANSHIP PER WESTERN POWER PRODUCTS SPECIFICATION DATED JANUARY, 1990.
3. MINIMUM MATERIAL THICKNESS IS 3/16 [5].

| DIMENSIONS ARE IN INCHES OR MILLIMETERS IN BRACKETS UNLESS OTHERWISE NOTED. |    |      |             |   |                |            |
|---|----|------|-------------|---|----------------|------------|
| DRN   | BY | DATE | WEIGHT      |  3621 INDUSTRIAL PARK DR<br>LENOIR CITY, TN 37771<br>800-346-3062<br>www.quazite.com | LOC            |            |
| CHK   |    |      | 55#<br>25kg |   | OB             |            |
| ENG   |    |      | SCALE       | DRAWING DESCRIPTION<br><b>HUBBELL® DEFERRAL CABINET</b><br><b>38 X 38 X 18 W/MOUNTING BAR</b><br><b>AND PARKING STANDS</b>  | REV            |            |
| APR   |    |      | NTS         |   | A              |            |
| APR   |    |      | SIZE        |   |                |            |
|   |    |      | B           |   |                | 4/11       |
| PROJECT NUMBER  |    |      |             |   | DRAWING NUMBER |            |
| 103116  |    |      |             |   | SHEET 1 OF 1   | DF383818MD |