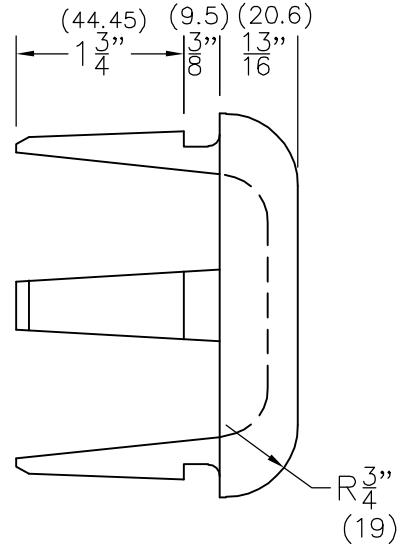
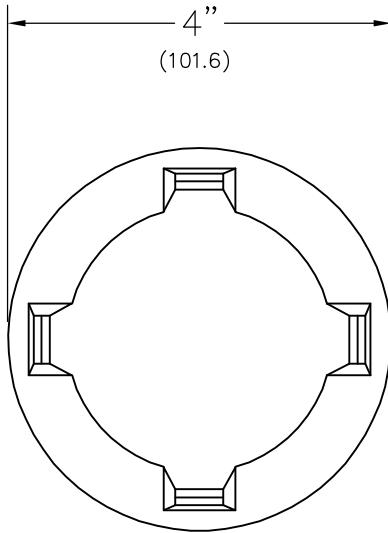


Catalog No.

DP-63-AL

CONDUCTOR:

3-1/2" SCH 40 AL PIPE



- MATERIAL -

ITEM	PART NO.	QTY	DESCRIPTION	MATERIAL	REF. DWG
1	DP-63-AL	1	END PLUG - CAST ALUM	356-T6	BP-1610

Ass'y Wt. 0.82 #

Job no. _____
 Item(s) no. _____
 Qty. req'd _____

2	DEH	4/29/14	ADDED METRIC DIMENSIONS
1	VES	10/25/12	Chgd dwg and ref to BP-1610
No.	By	Date	Revision



GKS 10/26/84

DP-63-AL

2