

Bay-O-Net Fuse “Drip Guard”

ECI, ERMCO Components Inc.

1607 Industrial Road
Greeneville, TN 37745

Phone: 423-638-2302

Fax: 423-638-9380

The ECI Drip Guard for Bay-O-Net fuse assemblies prevents the dripping of transformer insulating fluids onto the rubber molded terminators or cables.

The unique positive latching mechanism helps prevent accidental removal of the Drip Guard that could cause a potentially damaging spill.

Catalog number 7580ZB2199

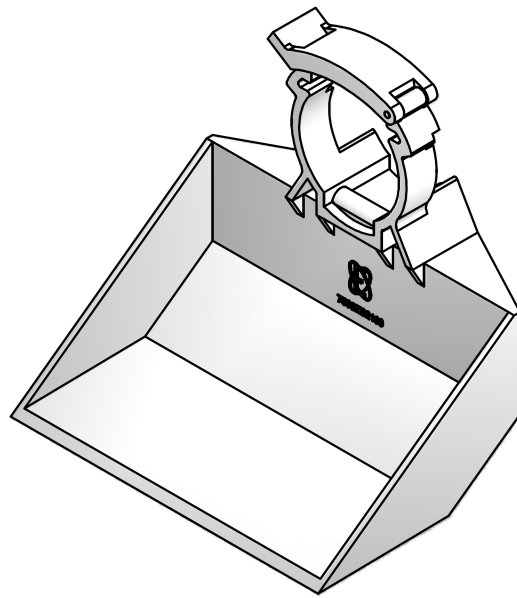


Figure 1.
Drip Guard for Bay-O-Net fuse assembly

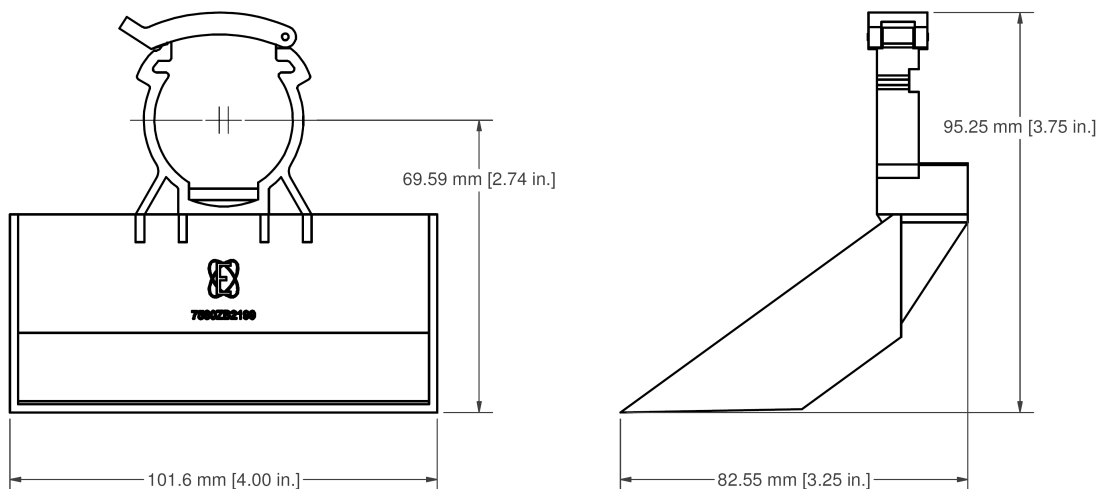


Figure 2.
Dimensional data