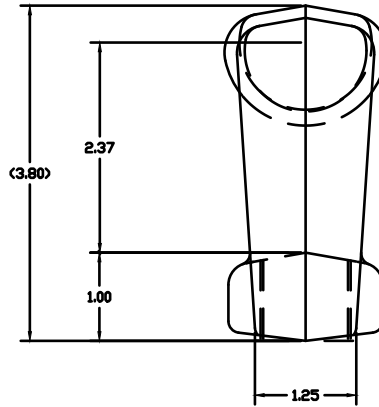



INDENTED LETTER 'C'  
INDENTED 'M24' OPPOSITE  
SIDE OF 'C'



CAT. NO.	DESCRIPTION	D	L	T
E1020047	ROD & TRIPLEYE NUT	5/8"	3-1/2"	43/64-11UNS-2
E1020049	ROD & TRIPLEYE NUT	1"	3-1/2"	1-8UNC-2
E1020051	ROD & TRIPLEYE NUT	5/8"	7"	43/64-11UNS-2
E1020052	ROD & TRIPLEYE NUT	3/4"	7"	1-8UNC-2
E1020053	ROD & TRIPLEYE NUT	1"	7"	1-8UNC-2

=NOTES=

1. HOT DIP GALV. PER ASTM A153 (LATEST REVISION)
2. PISA ROD AND EYENUTS SHIPPED ASSEMBLED.
3. ADD USA SUFFIX TO CATALOG NUMBER FOR BUY AMERICA ITEMS. PURCHASERS OF BUY AMERICA ITEMS WILL BE PROVIDED A DATED CERTIFICATE OF COMPLIANCE TO SPECIFIC BUY AMERICA PROVISIONS IF REQUESTED AT THE TIME OF ORDER. CONTACT HUBBELL POWER SYSTEMS CUSTOMER SERVICE FOR DETAILS.

CHANCE TOLERANCE CHART		 <b>HUBBELL POWER SYSTEMS</b>	
<small>CONFIDENTIAL: THIS DRAWING AND ITS CONTENTS ARE CONFIDENTIAL AND THE EXCLUSIVE PROPERTY OF HUBBELL POWER SYSTEMS. NO PUBLICATION, DISTRIBUTION OR COPIES MAY BE MADE WITHOUT THE WRITTEN CONSENT OF HUBBELL POWER SYSTEMS. HUBBELL POWER SYSTEMS UNPUBLISHED. ALL RIGHTS RESERVED UNDER THE COPYRIGHT LAWS.</small>			
<b>TITLE</b> PISA- ROD TRIPLEYE EYENUT-COMBINATION		<b>SIZE</b> D	<b>SA1020047</b>
<b>REV</b> A		<b>CAT / PART / ASSY NO.</b> SEE CHART	<b>DATE</b> 12/20/18
<b>DO NOT SCALE THIS DRAWING</b>		<b>DRW BY</b> MRC	<b>SHEET 1 OF 1</b>