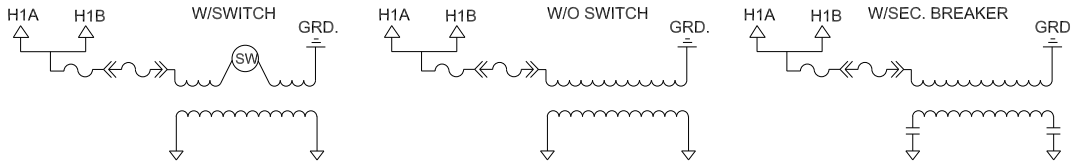


H. V.: 12470GRDY/7200 95BIL 1BU

L.V.: 277/480Y (2 LVBU) 30 BIL

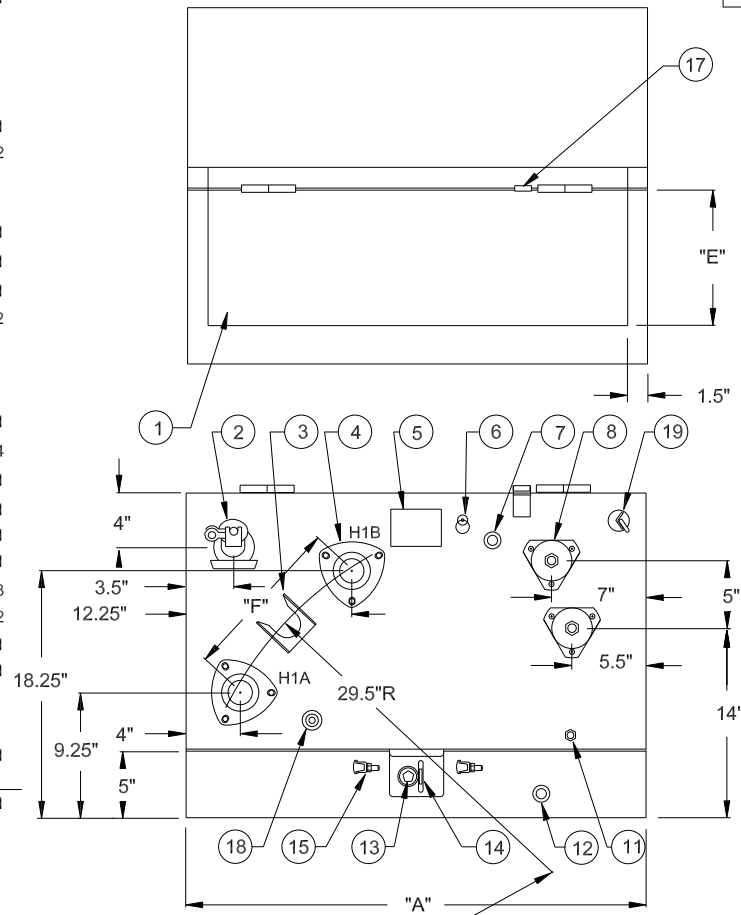
TAPS: NO TAPS



PART	DESCRIPTION	QUANTITY
1	CONDUIT ENTRANCE AREA	1
2	FUSING : GENERIC DUAL/LOAD (DS) BAYO & ISO ECI ISOLATION LINK BY CONFIGURATOR	
3	PARKING STAND	1
4	ECI WELLS WITH REPLACEABLE STUDS 15 kV ERMCO STANDARD INSERTS NO LOADBREAK SWITCH	2
5	(1) ALUMINUM NAMEPLATE (STANDARD)	1
6	P.R.V.: GENERIC.25 10PSI35SCFM(-01 OR -30)	1
7	.50 in. OIL LEVEL PLUG	1
8	LVBU: COPPER STUD SECONDARY BUSHINGS. .625 in. - 11 STUD SPADES: NOT REQUIRED	2
9	COMPARTMENT COVER	1
10	LIFTING BOSS (.625"-11 BLIND TAPPED)	4
11	DETACHABLE GROUND STRAP	1
12	STD 1/2" NPT DRAIN PLUG	1
13	.500"-13 SILICON BRONZE PENTABOLT(STANDARD)	1
14	PADLOCK HASP	1
15	GROUND NUT W/ GROUND LUGS #10-1 TINNED LUG (DEFLT.STD)	3
16	REMOVABLE SILL	2
17	DOOR RETAINER	1
18	TAP or DUAL VOLTAGE SWITCH: NOT REQUIRED	
19	SECONDARY BREAKER HANDLE: NOT REQUIRED	
20	CONDUIT ENTRANCE HOLE: LOW VOLTAGE SIDE	1

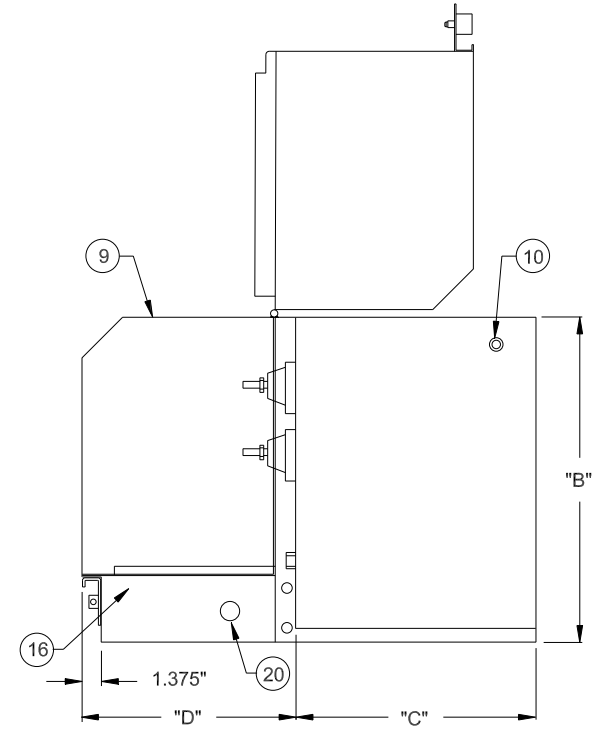
ADDITIONAL FEATURES

- PCB DECAL: NONPCB 2X3.5 REFL WHT/BL 28-18TANK
- KVA DECAL: KVA (ERMCO STD) YLW/CLR 2.5"(DOOR)
- WARN. DECAL: "WARNING HV DONOTENTER" 52-67 DOOR
- DANGER DECAL: "DANGRHIVOLTUNAUTHPERSKEEPOUT"DOOR
- MSC. DECAL: UUS DECAL CUST SUPP. 7-719 DOOR
- FILL PORT: FILL PLUG
- OIL TYPE: STD TX MINERAL OIL



POINT 4" BELOW PAD SURFACE
10" RIGHT OF TRANS. CENTERLINE AND
12" IN FRONT OF TRANS. FRONT PANEL

"E" = "D" - 3.625"	DIM "F" IS	: IF DIM "A" IS
	10"	32"
	12"	34" & >



ITEM AND/OR STOCK #	KVA	DIMENSIONS IN INCHES					APPROX. GAL. OIL	APPROX. WEIGHT LBS.
		A WIDTH	B HEIGHT	C TANK DEPTH	D DOOR DEPTH	E CABLE OPENING		
1	25	32	24	15.7	16	12.375	26	582

**** UNCONTROLLED ****

GENERIC-TYPE II-2LV

9-6-05



ERMCO

CUSTOMER:
LAGRANGE CO REMC

RFQ/SPEC #:

SCALE:
NTS

DATE:
12/18/17

BY:
SS

QUOTE NUMBER:
486073