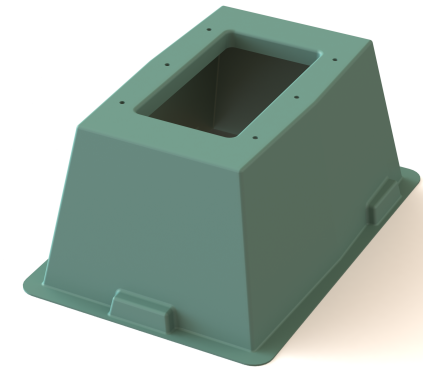
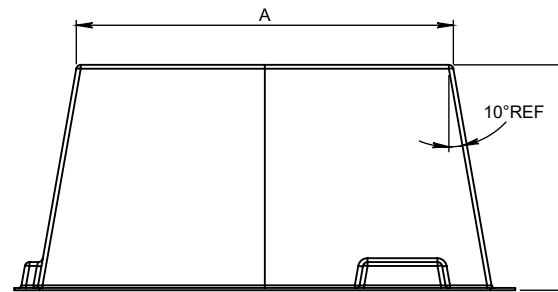
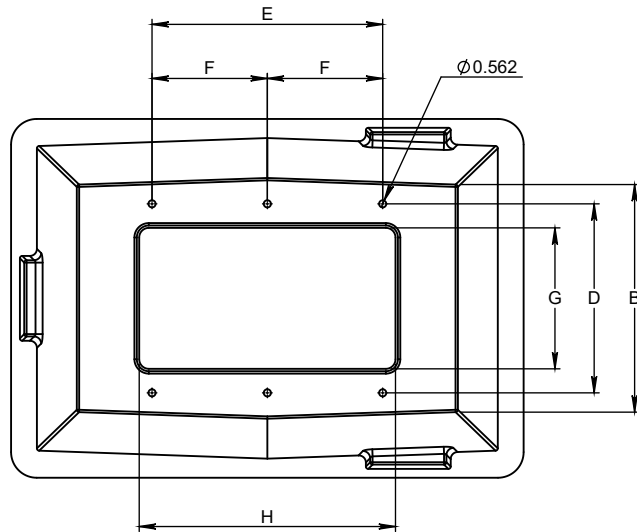


Single Phase Fiberglass Base



FLAT MOLDED SURFACE FOR
TAMPER RESISTANT MATING
TO ENCLOSURE

AVERAGE WALL
THICKNESS: 0.1875

STACKING STOPS

CONVEX SIDES FOR ADDED STRENGTH

CATALOG NO.	A	B	C	D	E	F	G	H
FGS182618	27.00	18.00	18.00	14.75	18.00	---	11.00	20.00
FGS183018	31.00	18.00	18.00	14.75	22.00	11.00	11.00	24.00
FGS183023	31.00	23.00	18.00	19.50	22.00	11.00	16.00	24.00
FGS183623	37.00	23.00	18.00	19.50	28.00	14.00	16.00	30.00
FGS302618	27.00	18.00	30.00	14.75	18.00	---	11.00	20.00
FGS303018	31.00	18.00	30.00	14.75	22.00	11.00	11.00	24.00
FGS303023	31.00	23.00	30.00	19.50	22.00	11.00	16.00	24.00
FGS303623	37.00	23.00	30.00	19.50	28.00	14.00	16.00	30.00