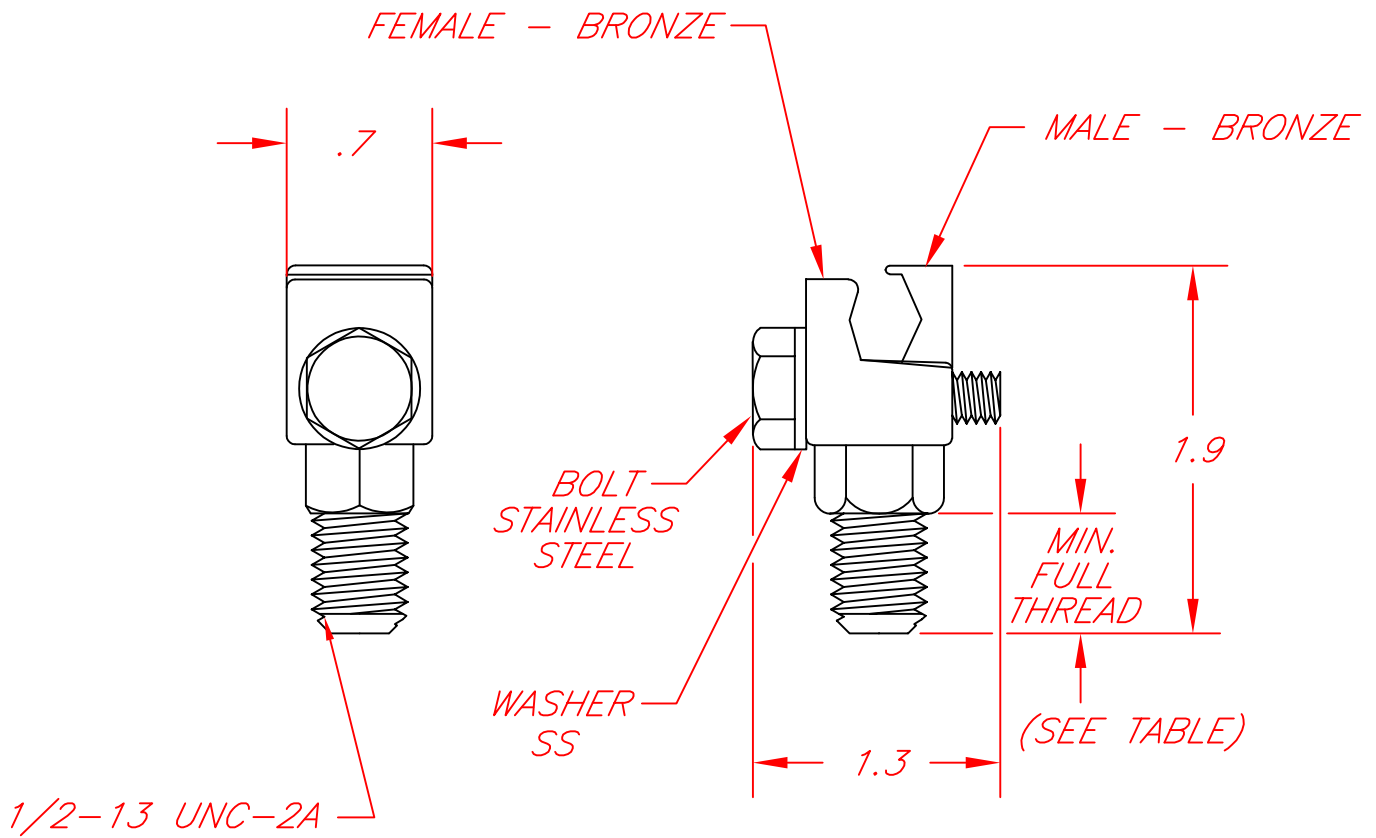


GC-207 AND GC-2077 GROUNDING CONNECTOR



<i>ITEM</i>	<i>CAT. No.</i>	<i>MIN. FULL THREAD</i>
<i>1</i>	<i>GC-207</i>	<i>.4</i>
<i>2</i>	<i>GC-207-7</i>	<i>.3</i>

HUBBELL POWER SYSTEMS, INC.

8711 WADSWORTH ROAD, WADSWORTH, OHIO

<i>PART NAME</i> CONNECTOR, GC-207 & 2077 GC-207		<i>SCALE</i> 1=1	
<i>DESIGN</i> JLH	<i>DATE</i> 03/21/00	<i>DWG. NO.</i> SF68970-00	<i>REV. NO.</i> 01
<i>DRAWN</i> MAJ	<i>DATE</i> 03/21/00		

Approved 03-24-2000