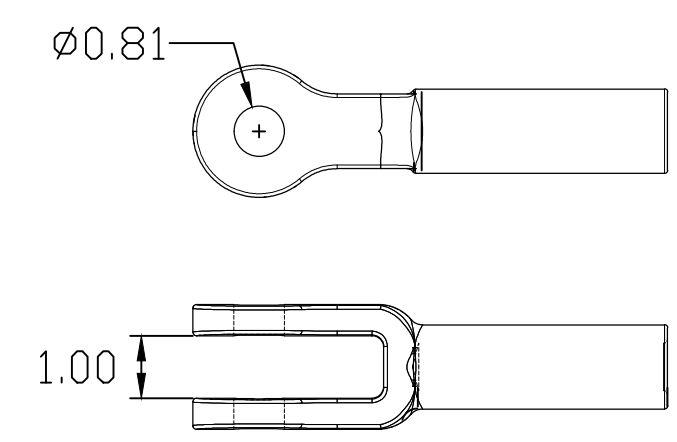
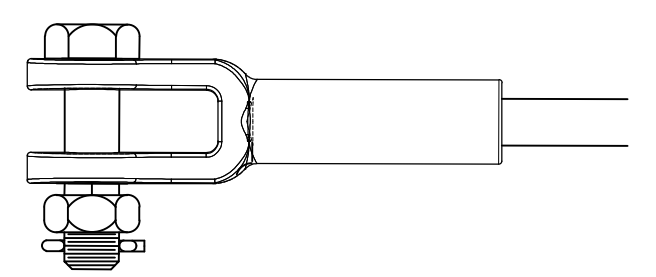


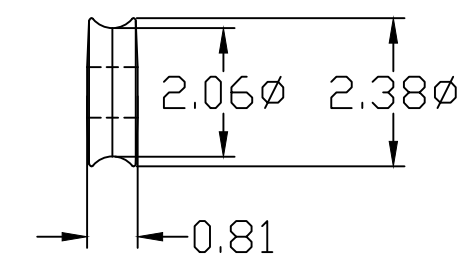
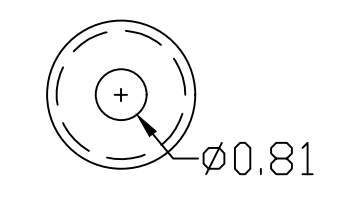
REVISIONS				
NO.	DATE	DESCRIPTION	BY	CKD
1	10/18/12	ADDED GCC30-26	LV	KK
2	11/21/12	ADDED SUFFIX "SC" FOR SIL COAT	LV	KK
3	08/21/13	ADDED GCC30-48	LV	KK
4	10/28/14	ADDED GCC30-240	WCL	WCL



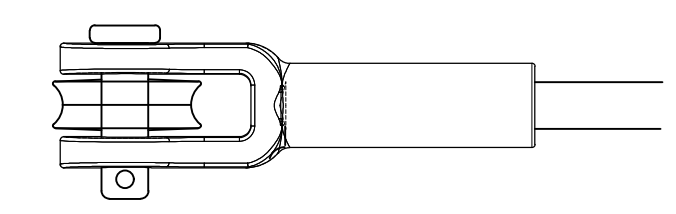
CLEVIS VIEW



VIEW WITH "-BC" SUFFIX



ROLLER VIEW



CLEVIS WITH ROLLER

CATALOG NUMBER	LENGTHS (IN)		ULTIMATE STRENGTHS	ELECTRICAL WITHSTAND	
	L1	L2	TENSILE, LBS (F1)	DRY, kV	WET, kV
GCC30-12	12	25.00	30,000	90	45
GCC30-18	18	31.00	30,000	135	67.5
GCC30-24	24	37.00	30,000	180	90
GCC30-26	26	39.00	30,000	195	97.5
GCC30-30	30	43.00	30,000	225	112.5
GCC30-36	36	49.00	30,000	270	135
GCC30-42	42	55.00	30,000	315	157.5
GCC30-48	48	61.00	30,000	360	180
GCC30-54	54	67.00	30,000	405	202.5
GCC30-60	60	73.00	30,000	450	225
GCC30-78	78	91.00	30,000	585	292.5
GCC30-96	96	109.00	30,000	720	360
GCC30-108	108	121.00	30,000	810	405
GCC30-120	120	133.00	30,000	900	450
GCC30-130.75	130.75	143.75	30,000	980	490
GCC30-144	144	157.00	30,000	1080	540
GCC30-240	240	253.00	30,000	1800	900

NOTES:

- 1.0 MATERIAL
  - 1.1 END FITTING - DUCTILE IRON 654512
  - 1.2 ROD - FIBERGLASS
  - 1.3 CLEVIS PIN - STEEL (CONFORMS TO SAE GRADE 5)
  - 1.4 COTTER KEY - STAINLESS STEEL
- 2.0 FINISH
  - 2.1 END FITTING - HOT DIP GALVANIZED PER ASTM-A-153
  - 2.2 ROD - ULTRAVIOLET PROTECTIVE VEIL COATING, GRAY
  - 2.3 CLEVIS PIN - HOT DIP GALVANIZED PER ASTM-A-153
  - 2.4 COTTER KEY - NONE
- 3.0 DIMENSIONS IN INCHES

NOTE: ADD SUFFIX "R" FOR ONE ROLLER AND "R2" FOR TWO ROLLERS.  
 EX. GCC30-12R FOR ONE OR GCC30-12R2 FOR TWO ROLLERS.  
 ADD SUFFIX "BC" FOR BOLT, NUT, & COTTER KEY. EX. GCC30-120-BC.  
 ADD SUFFIX "GK" INDICATES IT IS USED IN A GUY KIT AND IS NOT BOXED.  
 EX. GCC30-36R-GK FOR ONE ROLLER AND USED IN A GUY KIT.  
 ADD SUFFIX "SC" FOR SILICONE COATING EX: GCC30-36R-SC.

**MACLEAN POWER SYSTEMS**  
A Maclean-fogg Company

GCC30-"L1", R, R2 SERIES  
30K GUY STRAIN INSULATOR  
CLEVIS END FITTING, CLEVIS END FITTING

DATE: 12/12/11	SCALE: NA	NO.
DWN. BY: CR	CKD. BY: KK	APR. BY: WCL

CEB-3836

This information is confidential and is the property of Maclean Power Systems. It may not be made public or reproduced except that the Customer may make copies for use solely in installation, maintenance, and operation of products supplied by Maclean Power Systems.

ENG. REF.