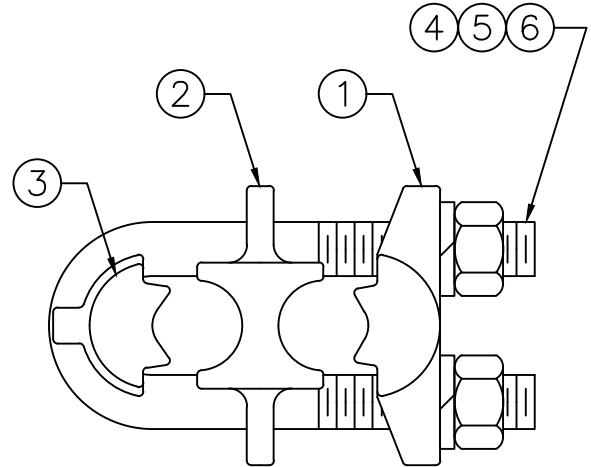
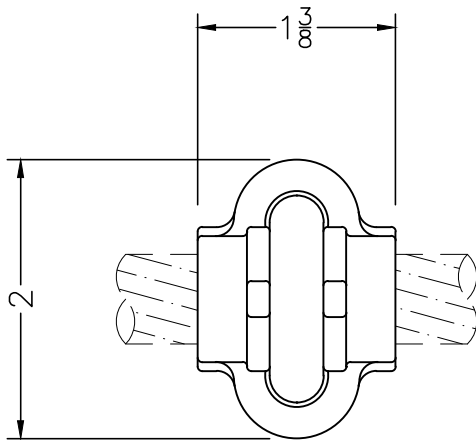


Catalog No.

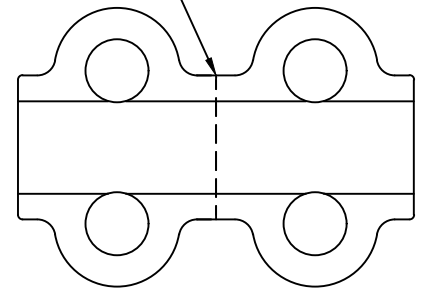
GCK-5252

CONDUCTOR: MAIN: 1/0 - 300 MCM  
TAP: 1/0 - 300 MCM



SHOP CUT DETAIL

CUT ITEMS ① AND ② IN HALF



**- MATERIAL -**

ITEM	PART NO.	QTY	DESCRIPTION	MATERIAL	REF. DWG
1	PU-5252	1/2	CAP - CAST	ELEC BRZ	C-26036
2	PU-5252-1	1/2	SPACER BODY - CAST	ELEC BRZ	C-26036
3	U-52	1	KEEPER - CAST	ELEC BRZ	C-21949
4	AH-1159	1	Ø3/8 U-BOLT	SIL BRZ	
5		2	Ø3/8 HEX NUT	SIL BRZ	
6		2	Ø3/8 SPRINGLOCK WASHER	SIL BRZ	

Job no. \_\_\_\_\_  
Item(s) no. \_\_\_\_\_  
Qty. req'd \_\_\_\_\_

No.	By	Date	Revision
1	JBE	3/18/20	Added cut note

**SEFCOR** INC.  
GRIFFIN, GEORGIA

GKS 11/08/90 UNITS: INCHES

GCK-5252

1