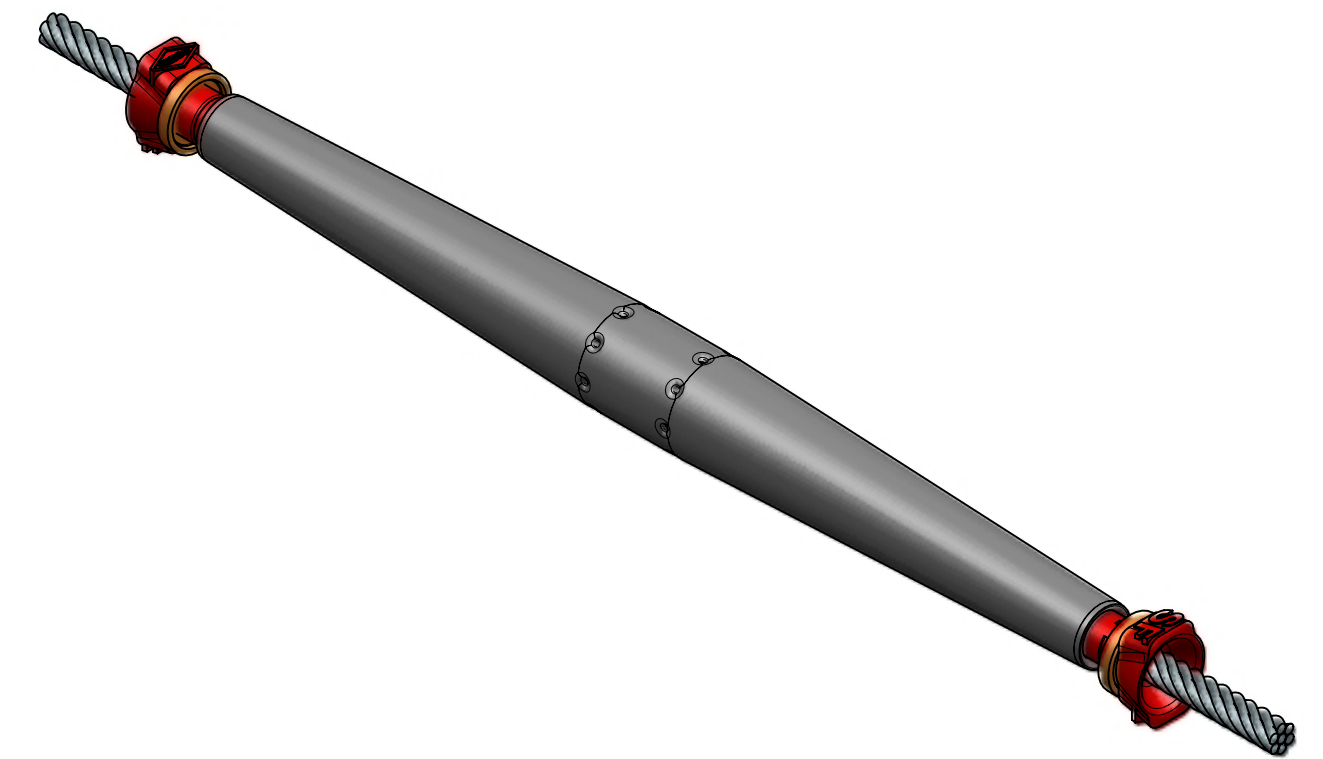
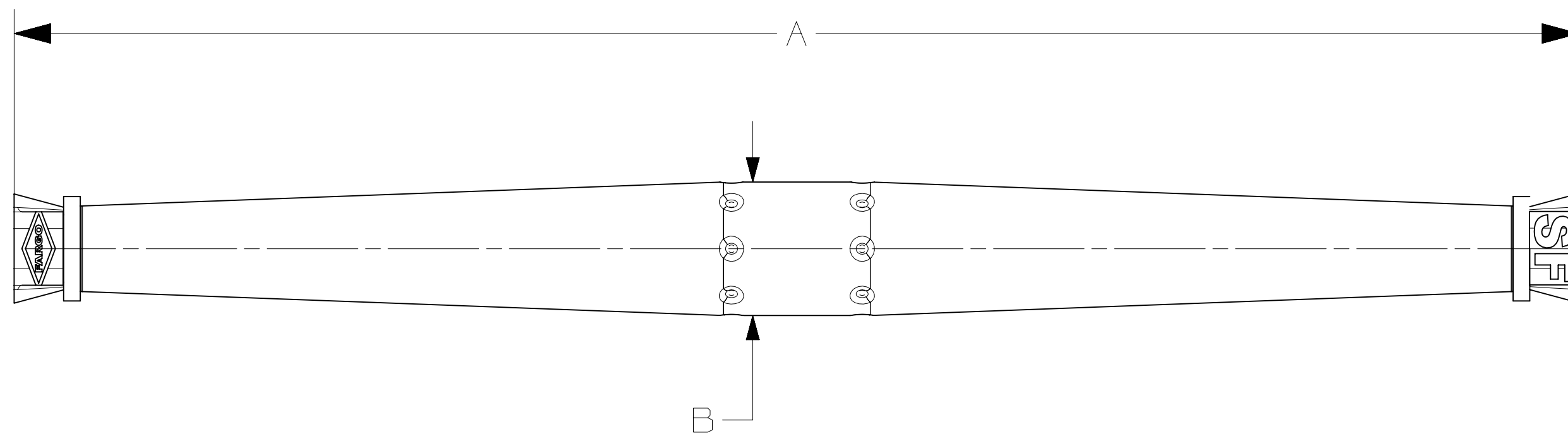
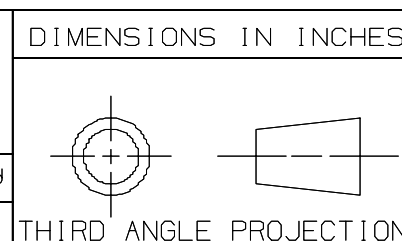


CATALOG NUMBER	CONDUCTOR SIZE	DECIMAL RANGE	COLOR CODE	A	B	STANDARD PACK
GLSF4042A	4 - 2 ACSR, AAAC, AAC	.220 - .320	RED - ORANGE	12	1.0	25
GLSF4076A	1/0 - 2/0 ACSR, AAAC, AAC	.355 - .470	YELLOW - GRAY	18	1.4	25
GLSF4098	3/0 - 4/0 ACSR, AAAC, AAC	.450 - .595	PINK - BLACK	22	1.7	25
GLSF410	266.8 18/1 ACSR, 312.8 AAAC, *336.4 AAC	.603 - .666	BROWN	19	1.7	25
GLSF411	336.4 18/1 ACSR, 394.5 AAAC, *397.5 & **336.4 AAC	.659 - .724	GREEN	20	1.8	25
GLSF412	397.5 18/1 ACSR, 465.4 AAAC, *477 AAC	.702 - .795	BLUE	22	2.0	25
GLSF413	477 18/1 ACSR, 559.5 AAAC, *556.5 & 500 AAC	.780 - .858	WHITE	24	2.1	10

* INCLUDES COMPACT CONDUCTOR OF SAME SIZE
 ** ROUND ONLY



EC #	REV	DESCRIPTION	DATE	CHG BY	APPR'd
61597	00	SEE SHEET 1	07/23/15	SD	SD
REVISION HISTORY					



HPS[®] HUBBELL[®] POWER SYSTEMS

TITLE: SUREFIT[™] ALUMINUM AUTOMATIC SPLICE

SIZE: C	DWG NO.: CC-20854	CAT / PART / ASSY NO.: SEE TABLE	REV: 00
SCALE: NONE	DRN BY: SD	DATE: 07/21/15	SHEET 2 OF 2

CONFIDENTIAL: THIS DRAWING AND ITS CONTENTS ARE CONFIDENTIAL AND THE EXCLUSIVE PROPERTY OF HUBBELL POWER SYSTEMS. NO PUBLICATION, DISTRIBUTION OR COPIES MAY BE MADE WITHOUT THE WRITTEN CONSENT OF HUBBELL POWER SYSTEMS. HUBBELL POWER SYSTEMS UNPUBLISHED ALL RIGHTS RESERVED UNDER THE COPYRIGHT LAWS.