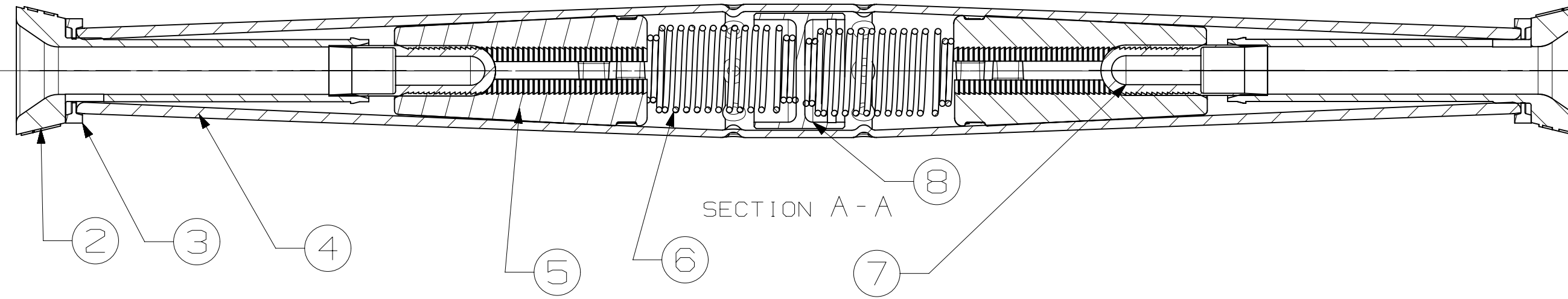
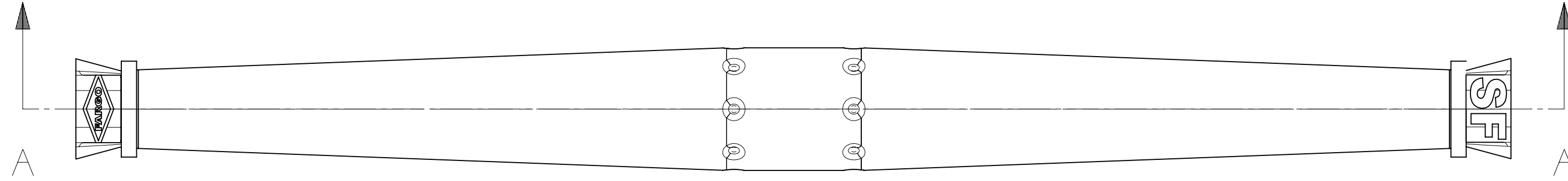
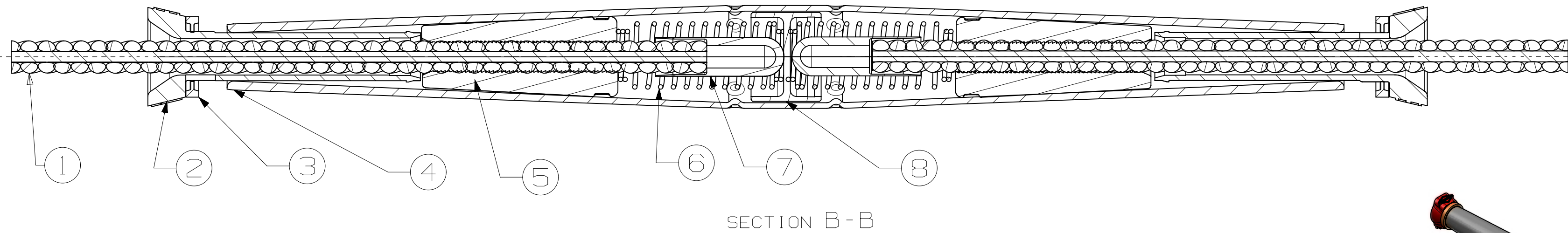
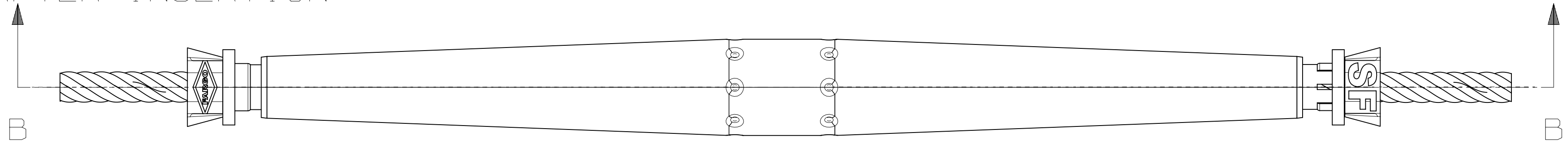


BEFORE INSERTION



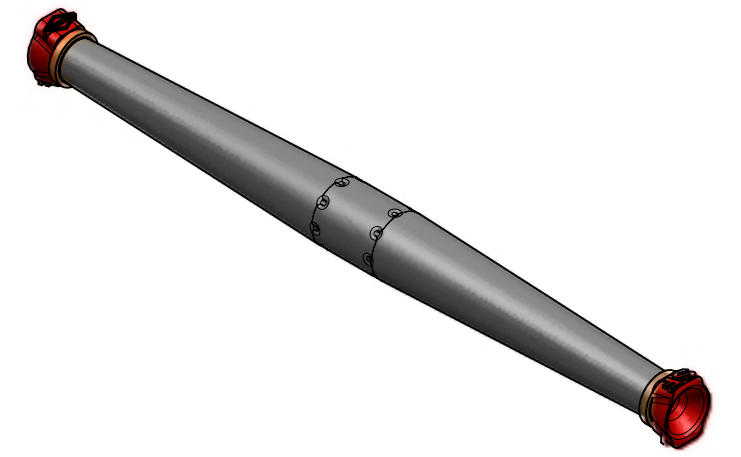
AFTER INSERTION



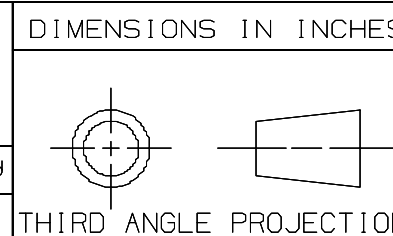
NOTES:

1. ANSI C119.4 FULL TENSION (95% OF RBS), ANSI C119.4 CLASS A TEMPERATURE RATED.
2. JAWS & TUBE FACTORY INHIBITED.
3. ALL DIMENSIONS IN INCHES FOR REFERENCE ONLY.

ITEM NO.	DESCRIPTION	QTY.
1	CONDUCTOR - ALUMINUM - .32" DIA.	2
2	FUNNEL GUIDE - THERMOPLASTIC	2
3	ID RING - THERMOPLASTIC	2
4	TUBE - ALUMINUM	1
5	JAW - ALUMINUM	4
6	SPRING - GALV. SPRING	2
7	PILOT CUP - THERMOPLASTIC	2
8	CENTERSTOP - THERMOPLASTIC	1



EC #	REV	DESCRIPTION	DATE	CHG BY	APPR'd
61597	00	INITIAL RELEASE	07/23/15	SD	SD
REVISION HISTORY					



HPS <sup>®</sup>		<b>HUBBELL<sup>®</sup> POWER SYSTEMS</b>	
TITLE <b>SUREFIT<sup>™</sup> ALUMINUM AUTOMATIC SPLICE</b>			
SIZE	DWG NO.	CAT / PART / ASSY NO.	REV
C	CC-20854	SEE SHEET 2	00
SCALE: NONE	DRN BY: SD	DATE: 07/21/15	SHEET 1 OF 2

