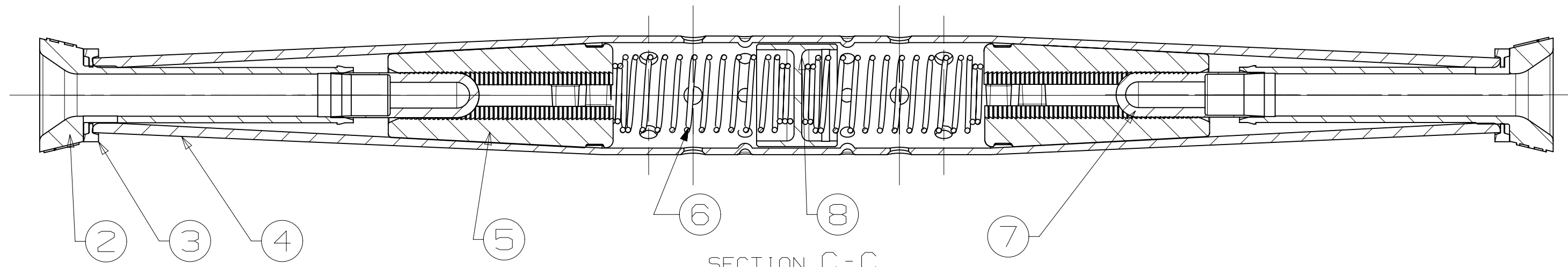
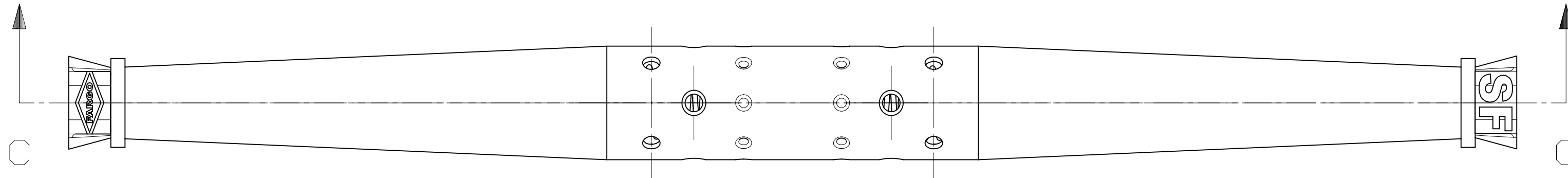
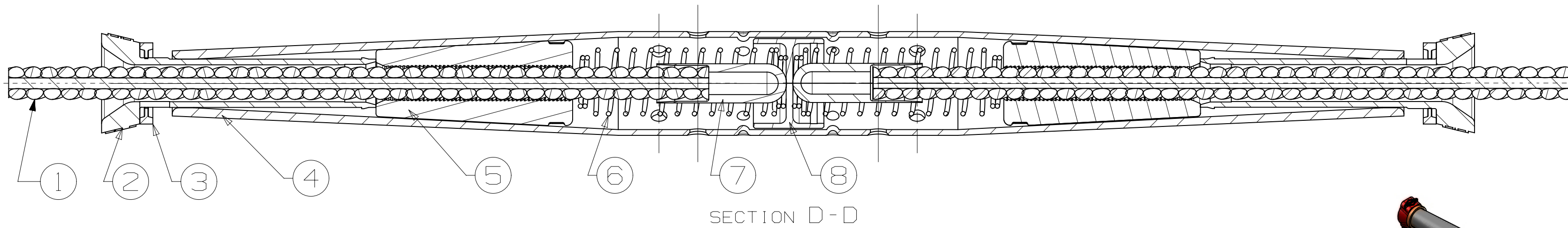
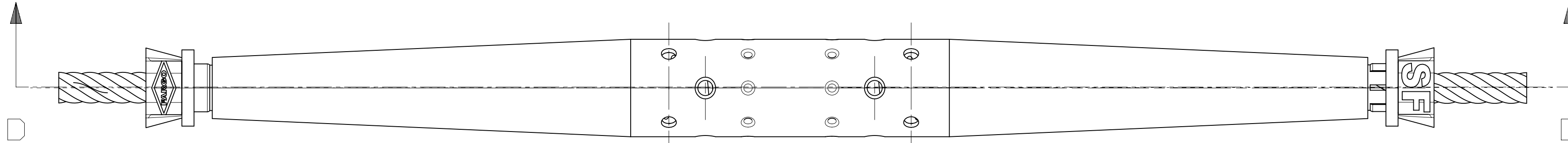


BEFORE INSERTION



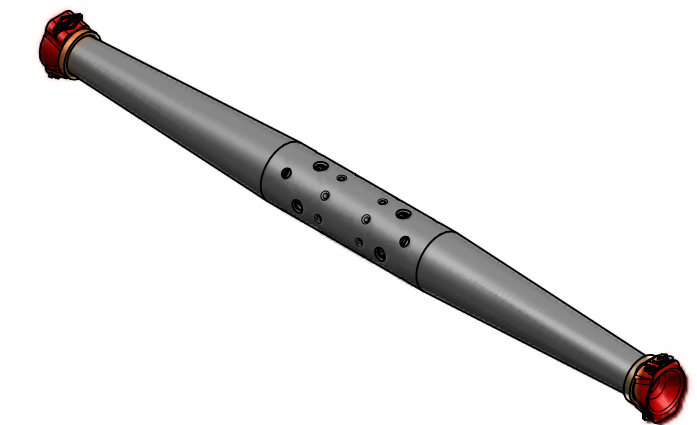
AFTER INSERTION



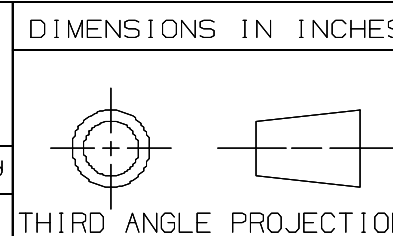
NOTES:

1. ANSI C119.4 FULL TENSION (95% OF RBS), ANSI C119.4 CLASS A TEMPERATURE RATE.
2. JAWS & TUBE FACTORY INHIBITED.
3. ALL DIMENSIONS IN INCHES FOR REFERENCE ONLY.

ITEM NO.	DESCRIPTION	QTY.
1	CONDUCTOR - ALUMINUM - .32" DIA.	2
2	FUNNEL GUIDE - THERMOPLASTIC	2
3	ID RING - THERMOPLASTIC	2
4	TUBE - ALUMINUM	1
5	JAW - ALUMINUM	4
6	SPRING - STAINLESS STEEL	2
7	PILOT CUP - THERMOPLASTIC	2
8	CENTERSTOP - THERMOPLASTIC	1



EC #	REV	DESCRIPTION	DATE	CHG BY	APPR'd
63834	01	UPDATED ITEM # 6.	02/02/16	SD	SD
REVISION HISTORY					



HPS [®]		HUBBELL[®] POWER SYSTEMS	
TITLE: SUREFIT™ ALUMINUM AUTOMATIC SPLICE KR VERSION			
SIZE	DWG NO.	CAT / PART / ASSY NO.	REV
C	CC-23006	SEE SHEET 2	01
SCALE: NONE	DRN BY: SD	DATE: 07/21/15	SHEET 1 OF 2

CONFIDENTIAL: THIS DRAWING AND ITS CONTENTS ARE CONFIDENTIAL AND THE EXCLUSIVE PROPERTY OF HUBBELL POWER SYSTEMS. NO PUBLICATION, DISTRIBUTION OR COPIES MAY BE MADE WITHOUT THE WRITTEN CONSENT OF HUBBELL POWER SYSTEMS. HUBBELL POWER SYSTEMS UNPUBLISHED ALL RIGHTS RESERVED UNDER THE COPYRIGHT LAWS.