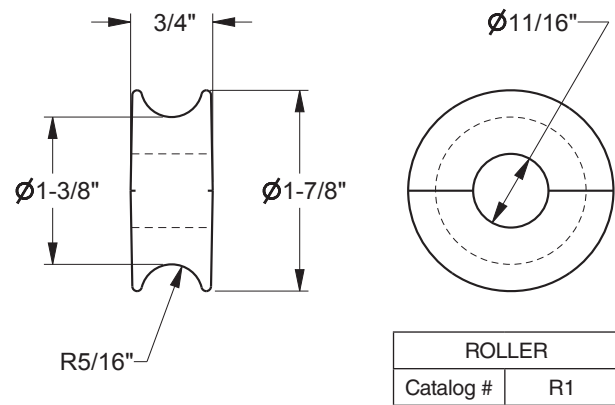
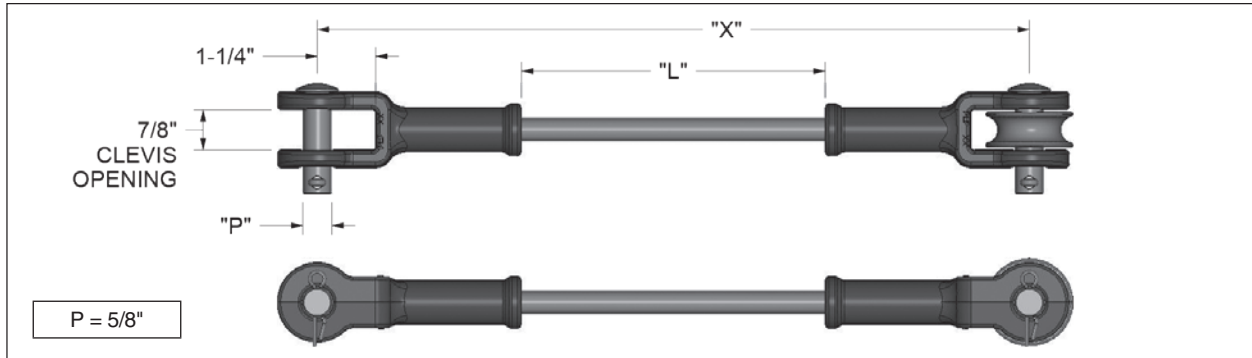




INSULIGN® Guy Strain Insulators – Fiberglass

Clevis – Clevis with Roller

16,000 lb. and 21,000 lb. minimum rating



Minimum Ultimate Strength Rating: 16,000 lbs. and 21,000 lbs.			
Catalog Number		"L" Rod Length (inch)	"X" Pin to Pin (inch)
16,000 lbs.	21,000 lbs.		
GSF16-12CCR	GSF21-12CCR	12	20-3/4
GSF16-18CCR	GSF21-18CCR	18	26-3/4
GSF16-24CCR	GSF21-24CCR	24	32-3/4
GSF16-36CCR	GSF21-36CCR	36	44-3/4
GSF16-42CCR	GSF21-42CCR	42	50-3/4
GSF16-54CCR	GSF21-54CCR	54	62-3/4
GSF16-78CCR	GSF21-78CCR	78	86-3/4
GSF16-96CCR	GSF21-96CCR	96	104-3/4
GSF16-120CCR	GSF21-120CCR	120	128-3/4
GSF16-144CCR	GSF21-144CCR	144	152-3/4

EXPLANATORY NOTES:

- (1) Custom lengths available, please contact PLP® for more information.
- (2) Minimum Ultimate Strength Rating - 16,000 lbs. and 21,000 lbs.
- (3) Clevis Pin Diameter - 5/8"