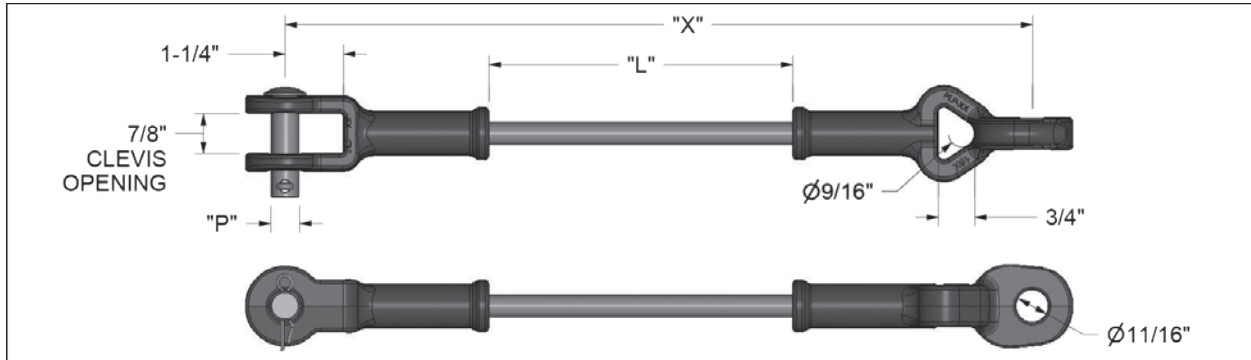




INSULIGN® Guy Strain Insulators – Fiberglass

Clevis – Thimble Eye

16,000 lb. and 21,000 lb. minimum rating



P = 5/8"

Minimum Ultimate Strength Rating: 16,000 lbs and 21,000 lbs.			
Catalog Number		"L" Rod Length (inch)	"X" Pin to Pin (inch)
16,000 lbs.	21,000 lbs.		
GSF16-12CTE	GSF21-12CTE	12	21-1/2
GSF16-18CTE	GSF21-18CTE	18	27-1/2
GSF16-24CTE	GSF21-24CTE	24	33-1/2
GSF16-36CTE	GSF21-36CTE	36	45-1/2
GSF16-42CTE	GSF21-42CTE	42	51-1/2
GSF16-54CTE	GSF21-54CTE	54	63-1/2
GSF16-78CTE	GSF21-78CTE	78	87-1/2
GSF16-96CTE	GSF21-96CTE	96	105-1/2
GSF16-120CTE	GSF21-120CTE	120	129-1/2
GSF16-144CTE	GSF21-144CTE	144	153-1/2

EXPLANATORY NOTES:

- (1) Custom lengths available, please contact PLP® for more information.
- (2) Minimum Ultimate Strength Rating - 16,000 lbs. and 21,000 lbs.
- (3) Clevis Pin Diameter - 5/8"