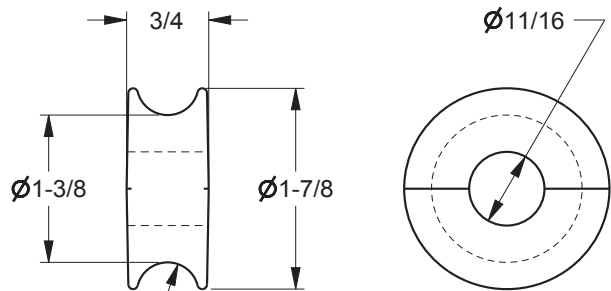
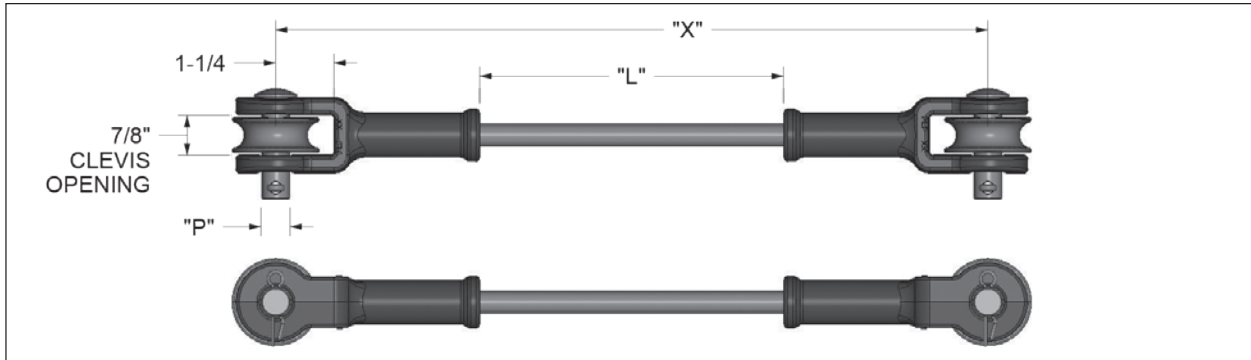


# INSULIGN® Guy Strain Insulators – Fiberglass

## Clevis – Clevis with Two Rollers 16,000 lb. and 21,000 lb. minimum rating



ROLLER	
Catalog #	72700001

P = 5/8"

Minimum Ultimate Strength Rating: 16,000 lbs. and 21,000 lbs.			
Catalog Number		"L" Rod Length (inch)	"X" Pin to Pin (inch)
16,000 lbs.	21,000 lbs.		
GSF16-12RR	GSF21-12RR	12	20-3/4
GSF16-18RR	GSF21-18RR	18	26-3/4
GSF16-24RR	GSF21-24RR	24	32-3/4
GSF16-36RR	GSF21-36RR	36	44-3/4
GSF16-42RR	GSF21-42RR	42	50-3/4
GSF16-54RR	GSF21-54RR	54	62-3/4
GSF16-78RR	GSF21-78RR	78	86-3/4
GSF16-96RR	GSF21-96RR	96	104-3/4
GSF16-120RR	GSF21-120RR	120	128-3/4
GSF16-144RR	GSF21-144RR	144	152-3/4

**EXPLANATORY NOTES:**

- (1) Custom lengths available, please contact PLP® for more information.
- (2) Minimum Ultimate Strength Rating - 16,000 lbs. and 21,000 lbs.
- (3) Clevis Pin Diameter - 5/8"