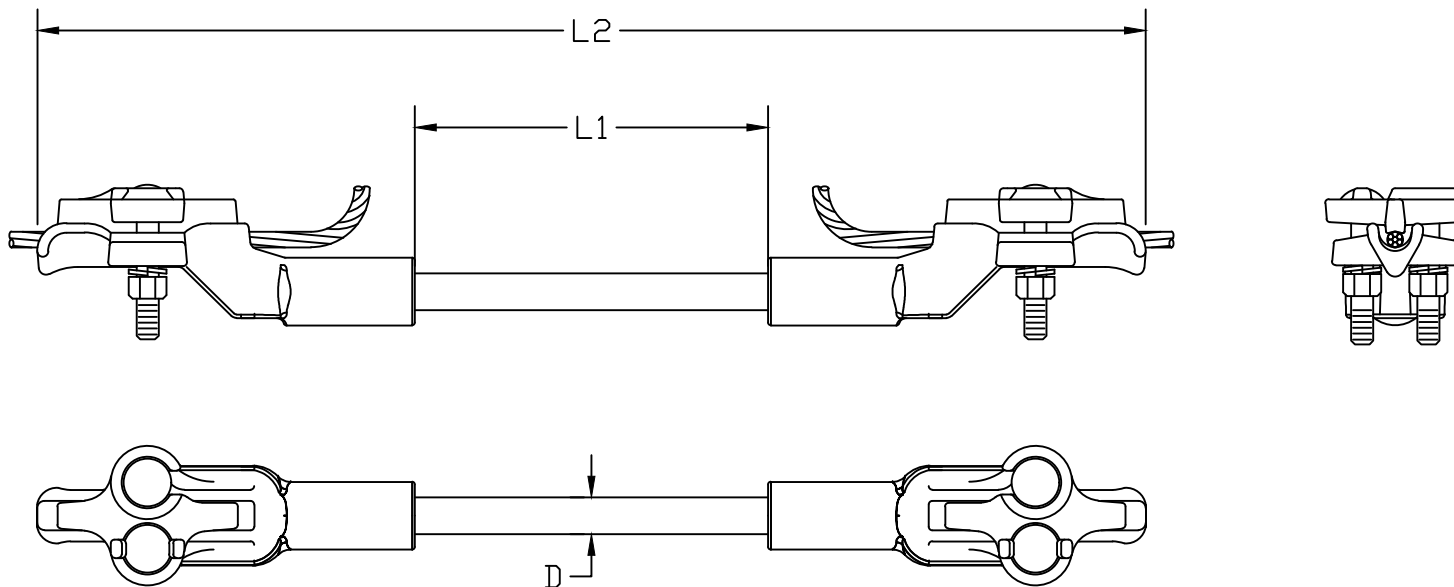


REVISIONS

NO.	DATE	DESCRIPTION	BY	CKD
1	10/13/14	ADDED DRY & WET FLUSHOVER VALUE	WCL	WCL
2	10/21/16	ADDED LOAD RATING	MBG	

CATALOG NUMBER		LENGTHS (IN)			ULTIMATE STRENGTHS		ELECTRICAL WITHSTAND	
POLYURETHANE COATED SERIES	SILICONE RUBBER COATED SERIES	L1	L2	D	TENSILE, LBS.	DRY, KV	WET, KV	
GSP-51-6F	GSP-51-6F-SC	6	18.82	.625	6000	45	22.5	
GSP-51-12F	GSP-51-12F-SC	12	24.82	.625	6000	90	45	
GSP-51-18F	GSP-51-18F-SC	18	30.82	.625	6000	135	67.5	

NOTE: WIRE RANGES FROM 0.16" - 0.57".



NOTES

- 1.0 MATERIAL
 - 1.1 CASTINGS - DUCTILE IRON 654512
 - 1.2 ROD - .625"Ø FIBERGLASS ROD
 - 1.3 HARDWARE - STEEL
- 2.0 FINISH
 - 2.1 CASTINGS - HOT DIP GALVANIZED PER ASTM A-153
 - 2.2 ROD - UV RESISTANT VEIL COATED
 - SILICONE COATED RUBBER FIBERGLASS ROD, GRAY FOR "SC" OPTION
 - 2.3 HARDWARE - HOT DIP GALVANIZED PER ASTM A-153
- 3.0 DIMENSIONS IN INCHES

This information is confidential and is the property of Maclean Power Systems. It may not be made public or reproduced except that the Customer may make copies for use solely in installation, maintenance, and operation of products supplied by Maclean Power Systems.

ENG. REF.


MacLean Power Systems
 BIRMINGHAM, ALABAMA

GSP-51-"L1" SERIES
 SECONDARY SECTIONALIZER W/ IRON CRIMP
 STYLE END FITTINGS

DATE: 7-03-12	SCALE: FULL	NO. CEA-3628	R/2	SH. 1
DWN. BY: MYL	CKD. BY:	APR. BY:		OF 1