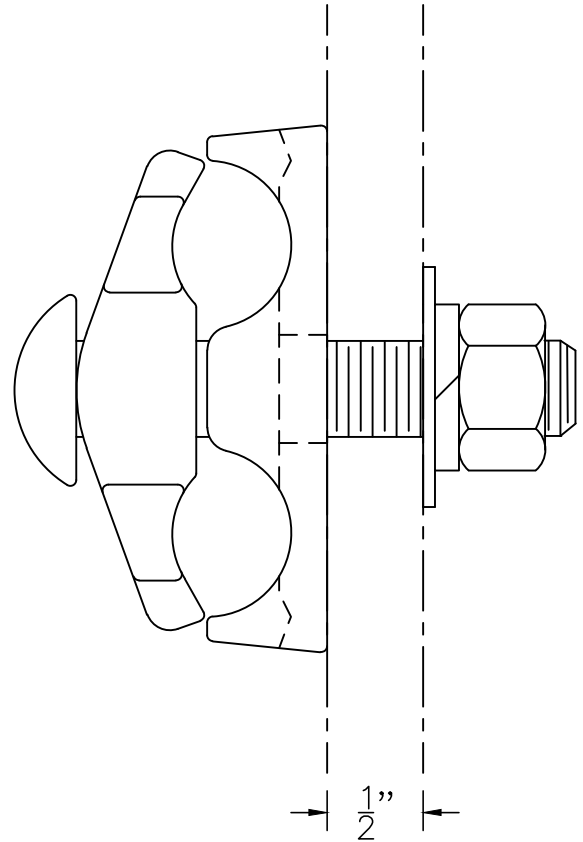
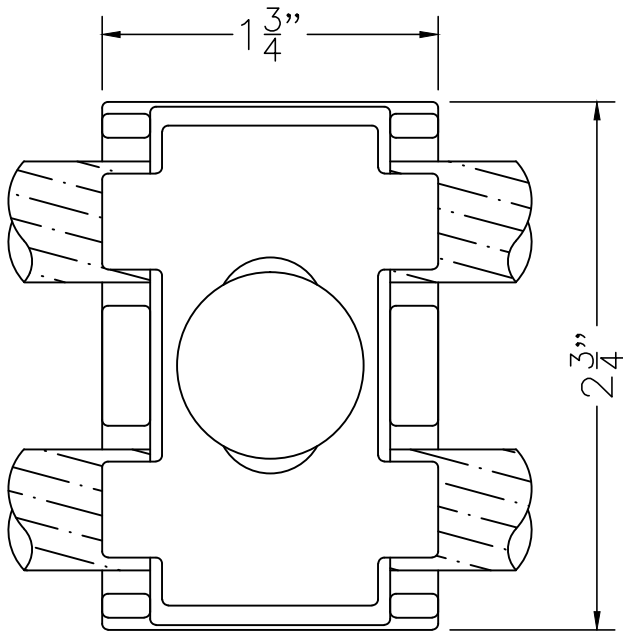


Catalog No.

GTC2-0520B

CONDUCTOR: #2 STR. - 500 MCM
SINGLE OR DUAL COND.



- MATERIAL -

ITEM	PART NO.	QTY	DESCRIPTION	MATERIAL	REF. DWG
1	GTC2-0520	1	CLAMP BODY - CAST	ELEC BRZ	BP-1335
2	GTC2-0520B	1	CLAMP BODY - CAST	ELEC BRZ	BP-1335
3		1	1/2" X 2-1/2" CARRIAGE BOLT	SIL BRZ	
4		1	1/2" X 1-1/4" O.D. FLAT WASHER	SIL BRZ	
5		1	1/2" SPRINGLOCK WASHER	SIL BRZ	
6		1	1/2" HEX NUT	SIL BRZ	

Ass'y Wt. _____ #

Job no. _____

Item(s) no. _____

Qty. req'd _____

No.	By	Date	Revision

SEFCOR INC.
GRIFFIN, GEORGIA

GKS 4/6/81

GTC2-0520B